

DLA-V/VN

Dimmable Digital Light Agent

The Digital Lumens DLA-V/VN brings wireless sensing and control to any 0-10V dimmable luminaire. Designed to be integrated directly into third-party luminaires, junction boxes, or pole mounts, the DLA-V/VN makes any 0-10V dimmable luminaire intelligent. It is designed to be deployed with our SiteWorx® Tune application to deliver powerful reporting, alerts, and actionable intelligence.

Date: _____

Quantity: _____

Company: _____

Project: _____



Key Features & Benefits

- Maximum energy savings via integrated sensing and software optimization
- Performance validation with utility-grade energy metering
- Provides a real-time stream of actionable facility usage and environmental data

Maximize Energy Savings

With SiteWorx Tune, customize and apply industry-leading lighting control strategies — including daylight harvesting and off-hour setback — to achieve up to 90% energy savings. Accessible via web and mobile applications, intuitive software provides easy management of lighting system settings and comprehensive reporting tools to maximize energy savings, safety, and visual comfort.

Instrument for the IIoT

With Digital Lumens intelligent LED luminaires and Digital Light Agent (DLA) lighting controls, your facility is immediately instrumented with SiteWorx, an easily expandable Industrial IoT solution that enables rapid deployment of additional sensor-based applications that extend beyond lighting to deliver even greater operational insight and create new value streams.

Quality and Reliability

Digital Lumens products are designed and manufactured to satisfy the highest standards of customers worldwide and deliver performance, reliability, and long life.

As an OSRAM business, Digital Lumens solutions are supported by a global network of partners and product specialists.

Our Brand

 DIGITAL LUMENS

OSRAM

Specifications

SENSING AND CONTROL

Wireless Networking

- IEEE 802.15.4 Compatible
- 2.4 GHz Band

Onboard Intelligence

- Distributed sensing and control
- Facility usage data-logging

Sensor Capabilities

- Occupancy sensing (PIR)
- Digital ambient light sensing
- Integrated power monitoring

Dimming Interface

- Dim range based on driver
- 0-10V dimming

Device Limit

- (3x) 0-10V drivers, refer to Load/Relay Rating

ELECTRICAL

Input Voltage

- 120 – 480 VAC

Load/Relay Rating

- 3.5 A @ 120 VAC
- 1.5 A @ 277 VAC
- 1.2 A @ 347 VAC
- 0.8 A @ 480 VAC

Power Consumption

- 1 W Active
- 0.5 W Standby

Power Wires

- Brown: Hot
- Blue: Neutral
- Red: Switched Line

Dimming Wires

- Gray/Purple: 0-10V, 50 mA sinking only

Surge Rating

- 4KV L-N per IEC 60730

ENVIRONMENTAL

Operating Temperature

- -4° – 122°F (-20° – 50°C)

Operating Humidity

- 0% – 95% non-condensing

PHYSICAL

Enclosure

- Sabic - Valox™

Dimensions (H x W x D)

- 2.53 x 3.82 x 4.18 inch (65 x 97 x 106 mm) — DLA-V
- 5.71 x 3.82 x 7.3 inch (146 x 97 x 185 mm) — DLA-VN

Weight

- 10.2 oz (286 g) — DLA-V
- 13 oz (369 g) — DLA-VN

Mounting Hole Diameter

- 0.5 inch (Pg-7) trade size knockout

Mounting Height

- Up to 35 ft (10.6 m)

WARRANTY

- 5-Year Limited Warranty

CERTIFICATIONS & SAFETY

Approbations

- UL/cUL 60730-1, UL-NOM, CE, CFR 47 FCC Part 15 Subpart B, CSA E60730-1, NSF

Environmental Suitability

- IP66, UL Wet Location, NSF/ANSI Standard 2 – Food Equipment



Ordering Information

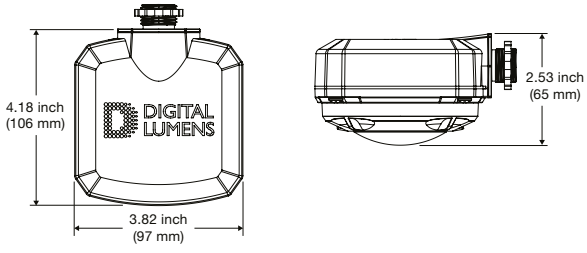
Part Number	Description
DLA-V-00-H	0-10V, High Bay
DLA-VN-00-H ¹	0-10V, High Bay

Footnotes:

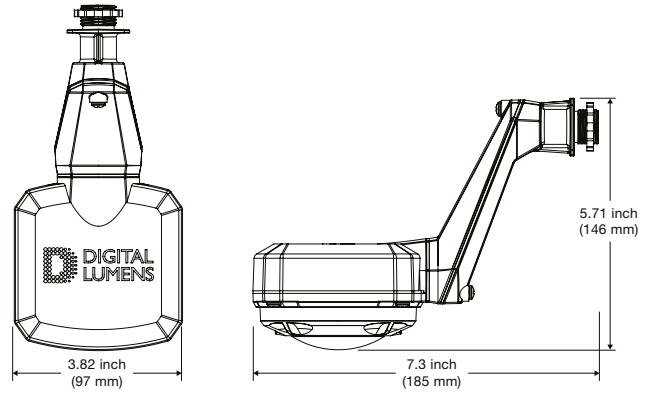
¹ DLA-VN compliance label for Singapore is located in the product Installation Instructions.

Dimensions

DLA-V

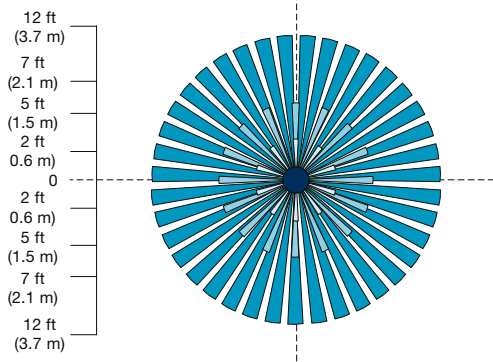


DLA-VN

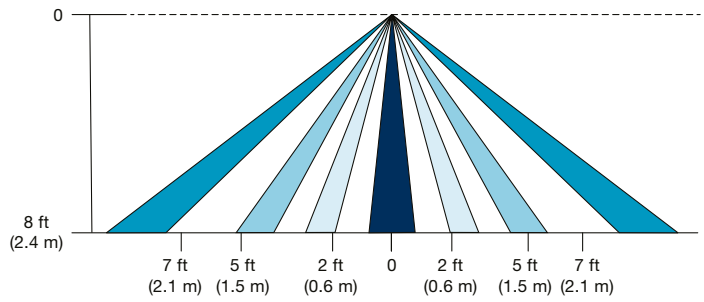


Sensor Coverage

Top View



Side View



Digital Lumens

374 Congress Street
Suite 600
Boston, MA 02210 USA
Phone +1 617 723 1200
www.digitallumens.com

OSRAM