

# DLA-V/VN

## Dimmable Digital Light Agent



The DLA-V/VN brings wireless sensing and control to any 0-10v dimmable fixture. Designed to be integrated directly into third-party fixtures, junction boxes, or pole mounts, the DLA-V/VN makes any 0-10v dimmable fixture intelligent. It is designed to be deployed with our SiteWorx™ Tune application to deliver powerful reporting, alerts, and actionable intelligence.

- Maximum energy savings via integrated sensing and software optimization
- Performance validation with energy metering
- A real-time stream of actionable facility usage and environmental data

DATE: \_\_\_\_\_

TYPE: \_\_\_\_\_

FIRM: \_\_\_\_\_

PROJECT: \_\_\_\_\_

### Maximize Energy Savings



With **SiteWorx Tune**, customize and apply industry-leading lighting control strategies — including daylight harvesting, progressive dimming, and off-hour setback — to achieve up to 90% energy savings.

Accessible via web and mobile applications, intuitive software provides easy management of lighting system settings and comprehensive reporting tools to maximize energy savings, safety, and visual comfort.

### Instrument for the IIoT

With Digital Lumens intelligent LED fixtures and Digital Light Agent (DLA) lighting controls, your facility is immediately instrumented with SiteWorx, an easily expandable Industrial IoT (IIoT) solution that enables rapid deployment of additional sensor-based applications that extend beyond lighting to deliver even greater operational insight and create new value streams.



**SiteWorx™ Sense** – Facility Monitoring



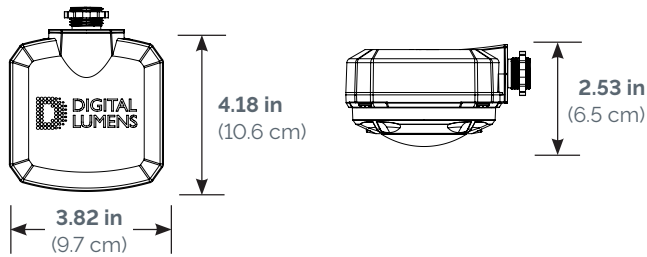
**SiteWorx™ Area** – Space Optimization

### Quality & Reliability

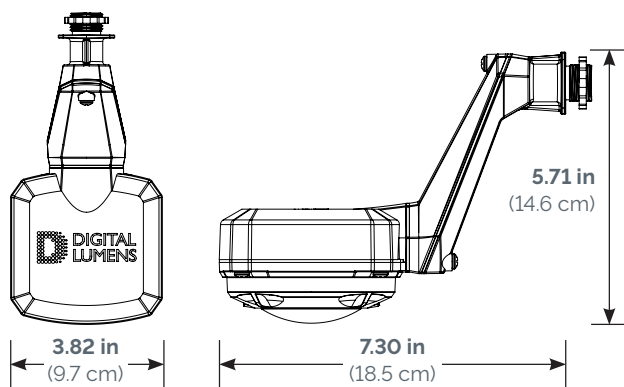
Digital Lumens intelligent LED fixtures are designed and manufactured to satisfy the high standards of customers worldwide and deliver reliable performance, long fixture life, and our patented intelligence across an array of challenging environments.

An OSRAM business, Digital Lumens solutions are supported by a global network of partners and product specialists.

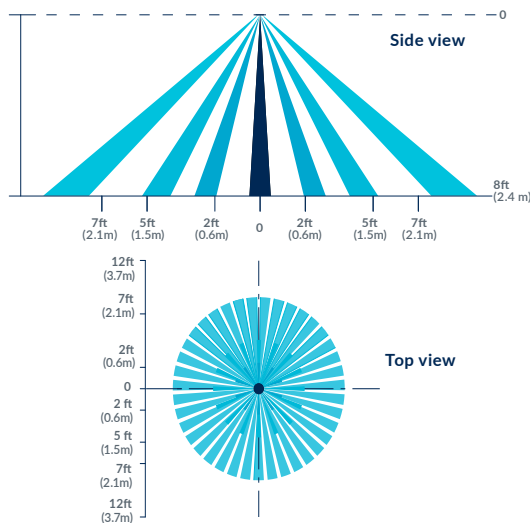
## DLA-V DIMENSIONS



## DLA-VN DIMENSIONS



## DLA-V/VN SENSOR COVERAGE



digitallumens.com  
374 Congress Street, Suite 600  
Boston, MA USA 02210  
+1 (617) 723-1200

## SENSING AND CONTROL

<b>Onboard Intelligence</b>	<ul style="list-style-type: none"> <li>Distributed Sensing and Control</li> <li>Facility usage and data-logging</li> </ul>
<b>Sensor Capabilities</b>	<ul style="list-style-type: none"> <li>Occupancy Sensing (PIR)</li> <li>Digital Ambient Light</li> <li>Integrated Power Metering</li> </ul>
<b>Dimming Levels</b>	<ul style="list-style-type: none"> <li>Dim range based on driver</li> <li>0-10V dimming</li> </ul>
<b>Recommended Device Limit</b>	(3x) 0-10V drivers, refer to Relay Rating
<b>Wireless Networking</b>	<ul style="list-style-type: none"> <li>IEEE 802.15.4 Compatible</li> <li>2.4 GHz Band</li> </ul>

## ENVIRONMENTAL

<b>IP Rating</b>	IP66, UL Wet Location, NSF/ANSI Standard 2: Food Equipment
<b>Operating Temperature</b>	-40° to 122°F (-40° to 50°C)
<b>Operating Humidity</b>	0% to 95%, non-condensing

## ELECTRICAL

<b>Input Voltage</b>	120-480 VAC								
<b>Relay Rating</b>	3.5 A @ 120 VAC, 1.5A @ 277 VAC, 1.2 A @ 347 VAC, 0.8A @ 480 VAC								
<b>Power Consumption</b>	1 W Active & 0.5W Standby								
<b>Wiring Connections</b>	<table border="0"> <tr> <td style="text-align: center;"><i>Power</i></td> <td style="text-align: center;"><i>Dimming</i></td> </tr> <tr> <td style="text-align: center;"><b>Brown:</b> Hot</td> <td style="text-align: center;"><b>Gray/Purple:</b></td> </tr> <tr> <td style="text-align: center;"><b>Blue:</b> Neutral</td> <td style="text-align: center;">0-10V, 50mA</td> </tr> <tr> <td style="text-align: center;"><b>Red:</b> Switched Line</td> <td style="text-align: center;">sinking only</td> </tr> </table>	<i>Power</i>	<i>Dimming</i>	<b>Brown:</b> Hot	<b>Gray/Purple:</b>	<b>Blue:</b> Neutral	0-10V, 50mA	<b>Red:</b> Switched Line	sinking only
<i>Power</i>	<i>Dimming</i>								
<b>Brown:</b> Hot	<b>Gray/Purple:</b>								
<b>Blue:</b> Neutral	0-10V, 50mA								
<b>Red:</b> Switched Line	sinking only								
<b>Surge Rating</b>	4kV L-N per IEC 60730								

## PHYSICAL

	DLA-V	DLA-VN
<b>Dimensions (H x W x D)</b>	2.53 in x 3.82 in x 4.18 in (6.5 cm x 9.7 cm x 10.6 cm)	5.71 in x 3.82 in x 7.30 in (14.6 cm x 9.7 cm x 18.5 cm)
<b>Weight</b>	10.2 oz (289g)	13.0 oz (369g)
<b>Enclosure</b>	Sabic-Valox	
<b>Mounting Method</b>	½-in trade size conduit knockout	
<b>Mounting Height</b>	Up to 35 ft (10.6 m)	

## CERTIFICATION & WARRANTY

<b>Warranty</b>	5-Year Limited Warranty
<b>Certifications</b>	UL 60730-1, CSA E60730-1, UL-NOM, CE, CFR 47 FCC Part 15 Subpart B, NSF

## ORDERING INFORMATION

<b>DLA-V or DLA-VN*</b>	<b>-00</b> (0-10V)	<b>-H</b> (High Bay)
-------------------------	-----------------------	-------------------------

\* DLA-VN compliance label for Singapore is located in the product Installation Instructions.