

### PRODUCT SAFETY

When using electrical equipment, basic safety precautions should always be followed, including the following:



**READ THESE INSTRUCTIONS BEFORE USING THIS PRODUCT.**



Digital Light Agent™ (DLA) hardware must be installed in accordance with the applicable installation code by a person familiar with the construction and operation of the product and the hazards involved.



To avoid risk of electrical shock, disconnect power before installing, wiring, or servicing DLA hardware.



Do not use luminaire or DLA hardware if the housing, lens, or wires are damaged.



Do not apply paint, lubricants, or other coatings to the DLA housing.



Use a dry cloth to clean the DLA housing or sensor optic.



Wire connections shall be rated suitable for the wire size (lead and building wiring) employed.

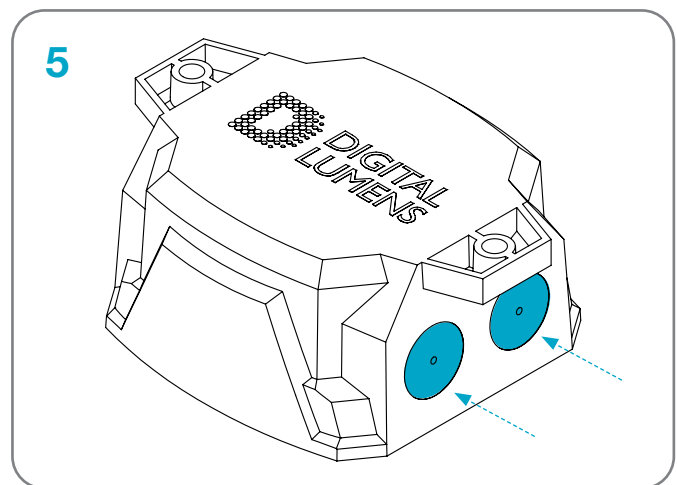
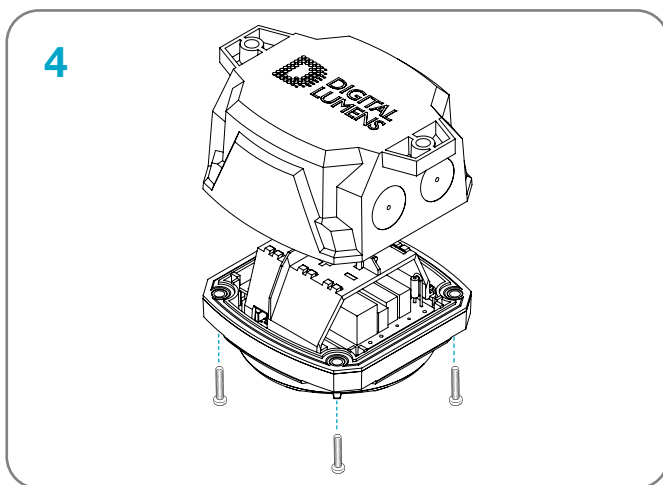
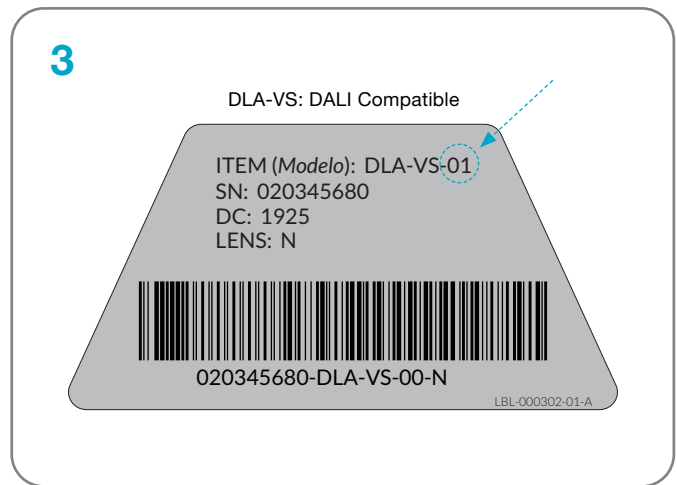
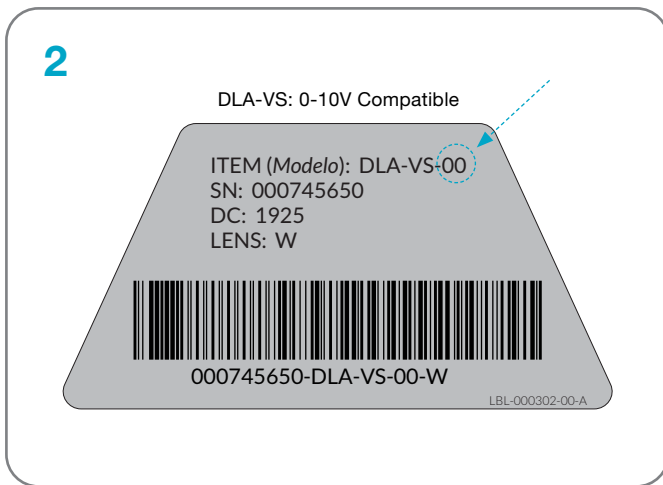
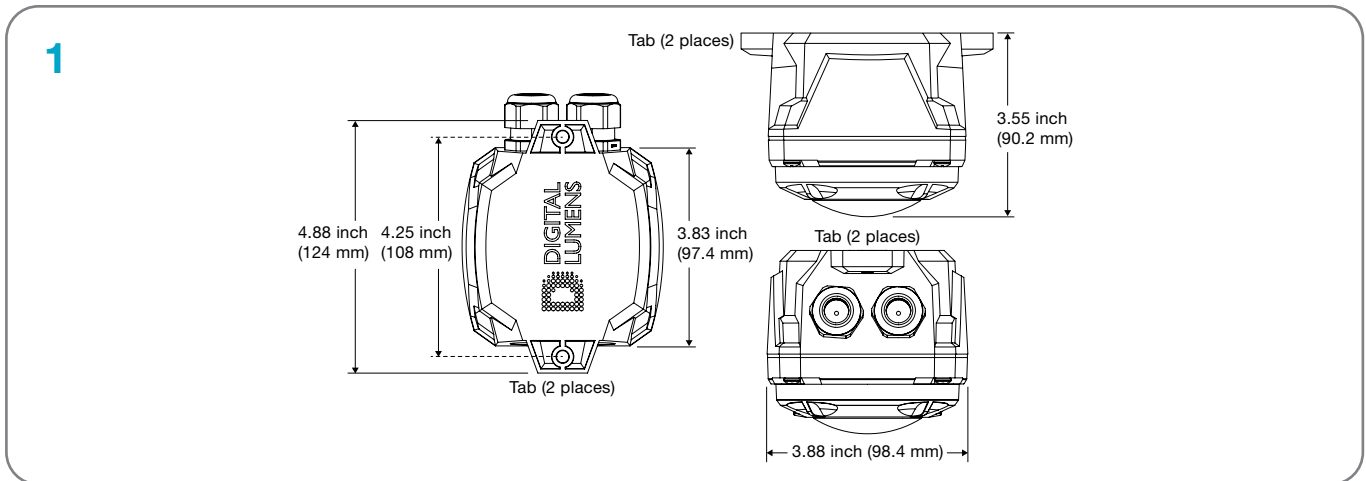


Control must be mounted with lens installed and facing downwards to maintain Type 3 rating.



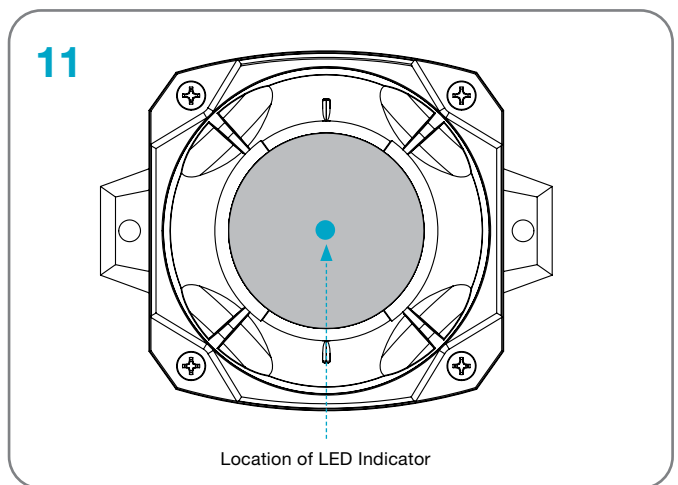
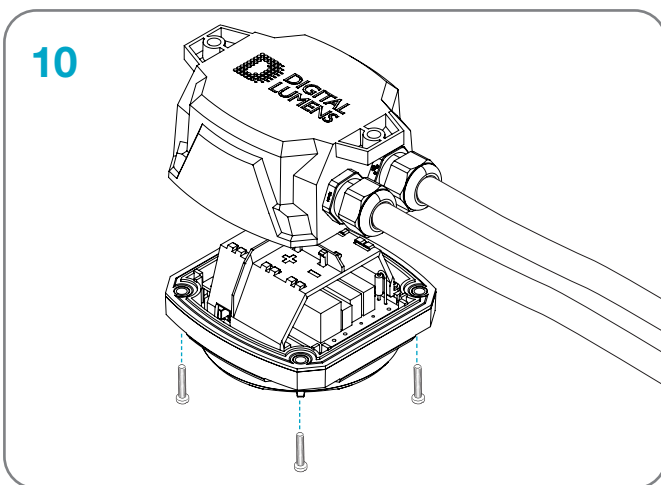
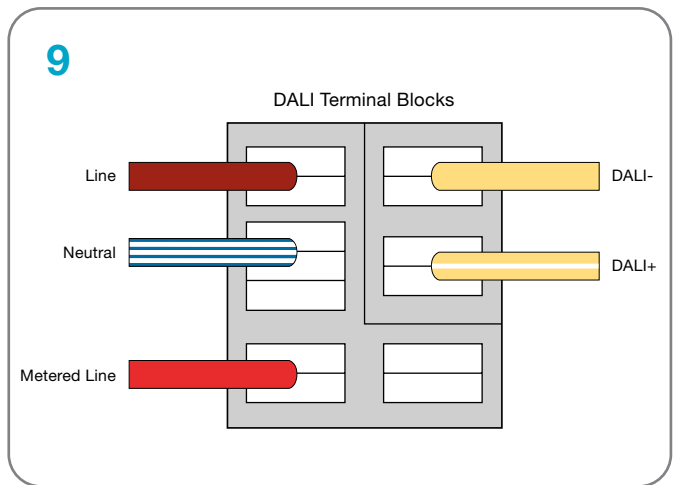
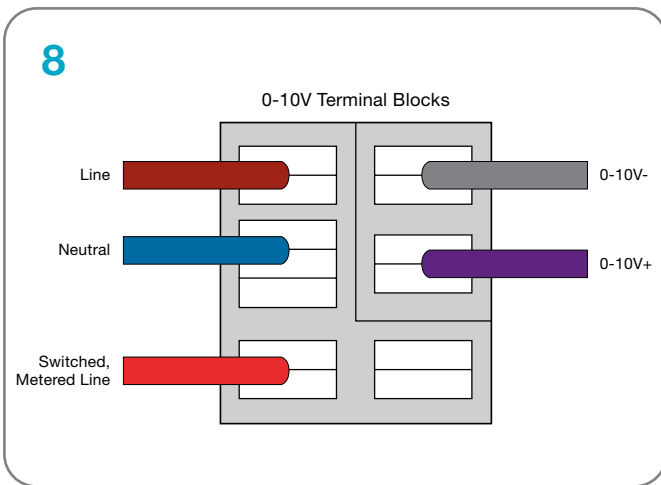
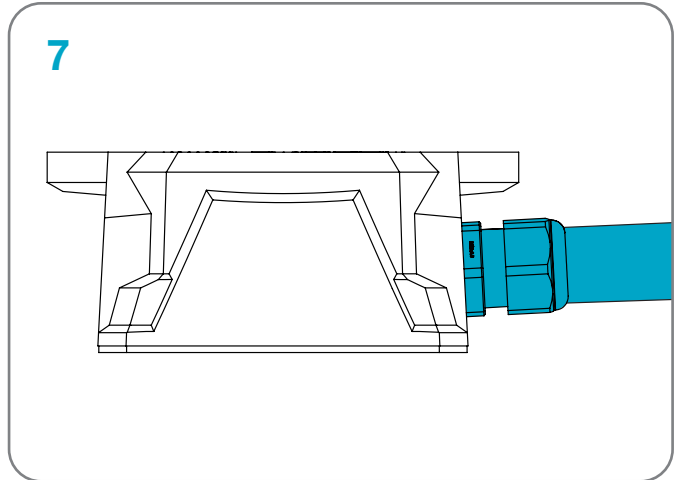
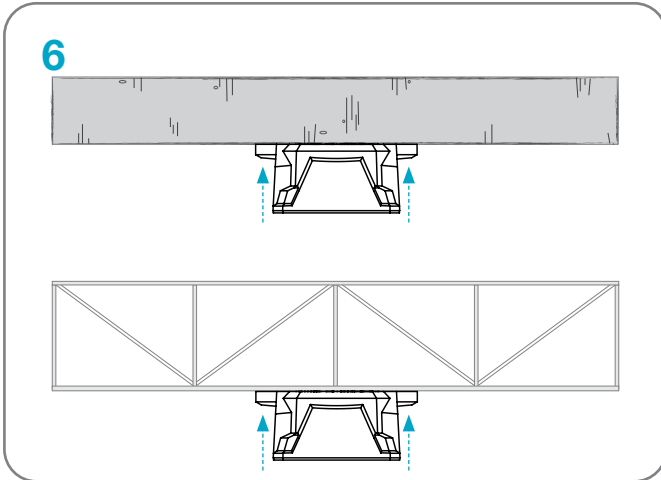
**SAVE THESE INSTRUCTIONS.**

---



# DLA-VS

## INSTALLATION INSTRUCTIONS



### GETTING STARTED

#### Helpful Hints

- Ensure the lens has a clear field of view when installed.
- Do not mount the DLA within 5 ft (1.5m) of an air vent.
- Control wires — 0-10V (grey, purple) or DALI (yellow, yellow stripe) — are Class 2/SELV circuits.

#### Product Specifications

##### Communication

| MODEL                      | TERMINAL                                      | RATING  |
|----------------------------|---|---|
| <b>DLA-VS-00</b><br>0-10 V | <b>DIM+, DIM-</b><br>Purple, Grey             | 0-10V Class 2, SELV Limited Energy (<15W) circuits.<br><br><b>Note:</b> When connected in same cable or routed in same conduit, all leads need to be wired as Class 1 circuits. |
| <b>DLA-VS-01</b><br>DALI   | <b>DIM+, DIM-</b><br>Yellow,<br>Yellow Stripe | DALI Class 2, SELV Limited Energy (<15W) circuits.<br><br><b>Note:</b> When connected in same cable or routed in same conduit, all leads need to be wired as Class 1 circuits.  |

##### Line Inputs

| MODEL                      | TERMINAL                       | RATING                       |
|----------------------------|--------------------------------|------------------------------|
| <b>DLA-VS-00</b><br>0-10 V | <b>AC Line,<br/>AC Neutral</b> | 120 – 480VAC, 50/60 Hz, 3.5A |
| <b>DLA-VS-01</b><br>DALI   | <b>AC Line,<br/>AC Neutral</b> | 120 – 277VAC, 50/60 Hz, 3.5A |

##### Line Outputs

| MODEL                      | TERMINAL                          | RATING  |
|----------------------------|-----------------------------------|---|
| <b>DLA-VS-00</b><br>0-10 V | <b>Switched,<br/>Metered Line</b> | – 120VAC, 3.5A, electronic ballast<br>– 277VAC, 1.5A, electronic ballast<br>– 347VAC, 1.5A, electronic ballast<br>– 480VAC, 0.67A, electronic ballast |
| <b>DLA-VS-01</b><br>DALI   | <b>Metered Line</b>               | Up to 3.5A load   |

#### Digital Lumens

374 Congress Street  
Suite 600  
Boston, MA 02210 USA  
Phone +1 617 723 1200  
www.digitallumens.com

#### Standard Installation Method for DLA-VS

- 1 Review the dimensional drawings for the DLA-VS (**Illustration 1**).
- 2 Check the product label to verify that the DLA-VS unit is compatible with your control protocol, either 0-10V or DALI (**Illustrations 2, 3**).
- 3 Remove the (4x) fasteners from the electronics module and detach the electronics module from the DLA-VS housing (**Illustration 4**).
- 4 Drill (1x) input and (1x) output holes in the DLA-VS housing using a ½-inch trade-size drill bit (**Illustration 5**).
- 5 Mount the DLA-VS housing to a flat surface or Unistrut® using suitable fasteners (**Illustration 6**).
- 6 Install conduit or cable using the included cable gland. Ensure that wiring meets national, state, and local electrical code requirements (**Illustration 7**).
- 7 Make power & dimming connections to the WAGO® terminal blocks (**Illustrations 8, 9**).
- 8 Replace the electronics module and re-install the (4x) fasteners (**Illustration 10**).
- 9 Apply AC Power to the DLA-VS. Use the LED indicator to verify that the unit is powered and connected to the network (**Illustration 11**):
  - The red indicator displays a double blink pattern.
  - The blue indicator displays a slow, single-blink pattern.**Note:** Until programmed using Commissioner software from Digital Lumens, the luminaire connected to the DLA-VS will remain ON at 100% with occupancy sensing disabled. (Active Level: 100%. Inactive Level: 100%. Occupancy Sensor Delay: Sensor Inactive)