

# DLA-M-E

## Micro Digital Light Agent

Date: \_\_\_\_\_

Quantity: \_\_\_\_\_

Company: \_\_\_\_\_

Project: \_\_\_\_\_

The Digital Lumens Digital Light Agents (DLAs) are multi-strategy adaptive lighting controls that make any light, from any manufacturer, intelligent. The DLA-M-E brings wireless sensing and control, and SiteWorx® compatibility, to third-party luminaires via an unobtrusive and easily mounted form factor.



### Key Features & Benefits

- Maximum energy savings via integrated sensing and software optimization
- Performance validation with energy metering
- Real-time stream of actionable facility usage data

### Maximize Energy Savings

With SiteWorx Tune, customize and apply industry-leading lighting control strategies — including daylight harvesting and off-hour setback — to achieve up to 90% energy savings. Accessible via web and mobile applications, intuitive software provides easy management of lighting system settings and comprehensive reporting tools to maximize energy savings, safety, and visual comfort.

### Instrument for the IIoT

With Digital Lumens intelligent LED luminaires and Digital Light Agent (DLA) lighting controls, your facility is immediately instrumented with SiteWorx, an easily expandable Industrial IoT solution that enables rapid deployment of additional sensor-based applications that extend beyond lighting to deliver even greater operational insight and create new value streams.

### Quality and Reliability

Digital Lumens products are designed and manufactured to satisfy the highest standards of customers worldwide and deliver performance, reliability, and long life.

As an OSRAM business, Digital Lumens solutions are supported by a global network of partners and product specialists.

Our Brand

 DIGITAL LUMENS

**OSRAM**

## Specifications

---

### SENSING AND CONTROL

#### Wireless Networking

- IEEE 802.15.4 Compatible
- 2.4 GHz Band

#### Onboard Intelligence

- Distributed Sensing and Control
- Facility usage data logging

#### Sensor Capabilities

- Integrated PIR occupancy sensor
- Integrated Daylight sensor
- SR/DEXAL driver-ready

#### Dimming Interface

- Dim range based on driver
- 0-10V dimming and switching when used with DLA-FA or DLA-CA adapters
- DALI compatible

#### Device Limit

- Up to (4x) DLA-FA or DLA-CA adapters, or (16x) DALI<sup>1</sup>, SR<sup>2</sup>, or DEXAL<sup>2</sup> drivers

### ELECTRICAL

#### Input Voltage

- 12 – 24 VDC, DALI bus powered (SELV)

#### Power Consumption

- 0.3 W

#### Connections

- Yellow/White: DALI+
- Yellow: DALI-

### ENVIRONMENTAL

#### IP Rating

- IP50

#### Operating Temperature

- -22° – 122°F (-30° – 50°C)

#### Operating Humidity

- 0% – 95%, non-condensing

### PHYSICAL

#### Enclosure

- PC/ABS Polymer

#### Dimensions (H x W x D)

- 0.93 x 1.31 inch (23.7 x 33.3 mm)

#### Weight

- 0.5 oz (14 g)

#### Mounting

- Snap-In surface-mount to ½-in trade size knockout (2.5 mm maximum panel thickness), or adhesive backing

#### Mounting Height

- Up to 20 ft (6 m)

### WARRANTY

- 5-Year Limited Warranty

### CERTIFICATIONS

- UL/cUL, UL-NOM, CE, FCC Part 15 Class B, CISPR 22



## Ordering Information

---

#### Part Number

DLA-M-E

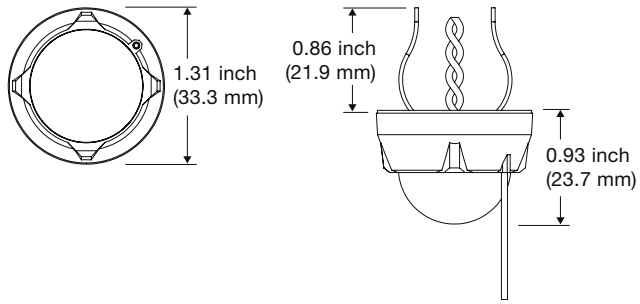
---

#### Footnotes:

<sup>1</sup> DALI drivers require a separate DALI power supply in order to power the DLA.

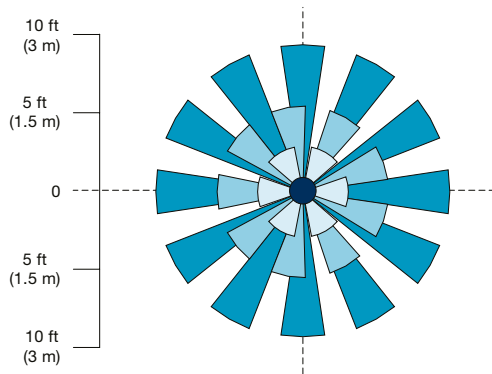
<sup>2</sup> With SR and DEXAL drivers, to prevent damaging the DLA, ensure that no more than (1x) driver has the power bus enabled.

## Dimensions

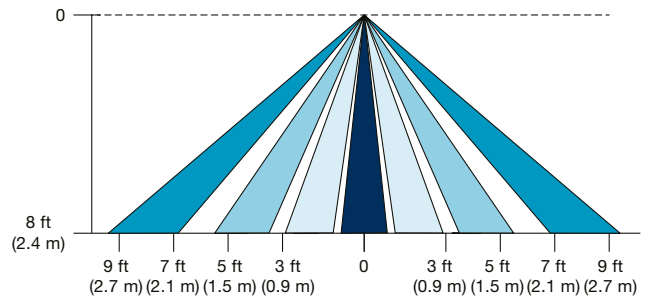


## Sensor Coverage

Top View



Side View



**Digital Lumens**

374 Congress Street  
Suite 600  
Boston, MA 02210 USA  
Phone +1 617 723 1200  
www.digitallumens.com

**OSRAM**