

DLA-FA

Luminaire Adapter Digital Light Agent

Date: _____

Quantity: _____

Company: _____

Project: _____

The Digital Lumens Digital Light Agents (DLAs) produce maximum energy savings and a real-time stream of actionable facility and environmental data, with integrated sensing and software optimization, and performance validation with utility-grade energy metering.



Key Features & Benefits

- 0-10 VDC dimming with switched AC
- Smooth digital dimming to a wide range of LED or legacy luminaire types
- Connects to a range of Digital Lumens DLA modules

Maximize Energy Savings

With SiteWorx Tune, customize and apply industry-leading lighting control strategies — including daylight harvesting and off-hour setback — to achieve up to 90% energy savings. Accessible via web and mobile applications, intuitive software provides easy management of lighting system settings and comprehensive reporting tools to maximize energy savings, safety, and visual comfort.

Instrument for the IIoT

With Digital Lumens intelligent LED luminaires and Digital Light Agent (DLA) lighting controls, your facility is immediately instrumented with SiteWorx, an easily expandable Industrial IoT solution that enables rapid deployment of additional sensor-based applications that extend beyond lighting to deliver even greater operational insight and create new value streams.

Quality and Reliability

Digital Lumens products are designed and manufactured to satisfy the highest standards of customers worldwide and deliver performance, reliability, and long life.

As an OSRAM business, Digital Lumens solutions are supported by a global network of partners and product specialists.

Our Brand

 DIGITAL LUMENS

OSRAM

Specifications

ELECTRICAL

Wiring and Connections

- Mains
 - Black: AC Line
 - White: AC Neutral
 - Red: AC Switched
- Low Voltage¹
 - Gray: 0-10 VDC -Dimming
 - Purple: 0-10 VDC +Dimming
- Digital Control¹
 - Yellow: DALI -Signal
 - Yellow/Black: DALI +Signal
 - Black: DC -Auxiliary Power
 - Red: DC +Auxiliary Power

Input Voltage

- 100 – 277 VAC, 50/60 Hz

Power Consumption

- 0.5 W

Maximum Luminaire Current (switched AC)

- 2.5 A de-rated based on operating temperature (refer to table in the left column)

Surge Rating

- Per IEC 60730
- 1 kV line-line / 2 kV line-earth

ENVIRONMENTAL

Operating Temperature

- -22° – 158°F (-30° – 70°C)

Operating Humidity

- 0% – 95%, non-condensing

PHYSICAL

Enclosure

- PC/ABS Polymer

Dimensions (H x W x D)

- 1.5 x 1.9 x 5.7 inch (37 x 48 x 146 mm)

Weight

- 4.25 oz (120 g)

Enclosure

- PC/ABS polymer, aluminum

Mounting Method

- Housing mounted within luminaire

Mounting Hole Diameter

- 0.2 inch (5 mm)

Mounting Hole Spacing

- 5.2 inch (146 mm)

WARRANTY

- 5-Year Limited Warranty

CERTIFICATIONS & SAFETY

Approbations

- UL/cUL, CE, FCC Part 15, RoHS



Ordering Information

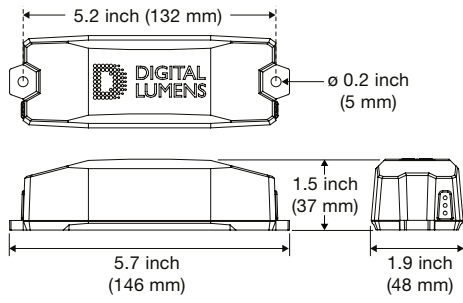
Part Number

DLA-FA

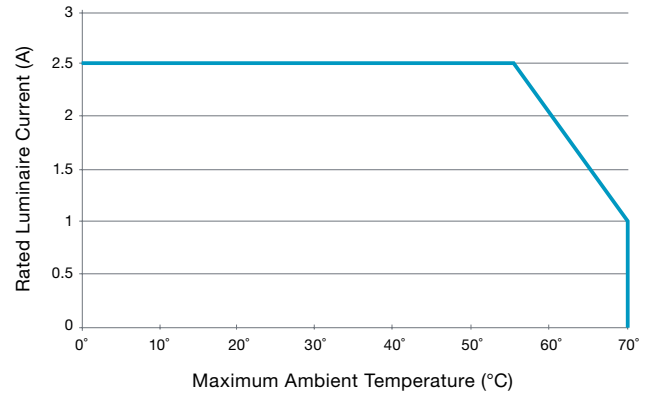
Footnotes:

¹ 0-10V, DALI, and DC Aux connections are SELV.

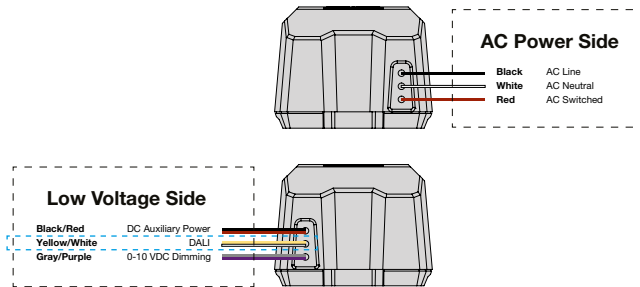
Dimensions



Temperature vs. Current

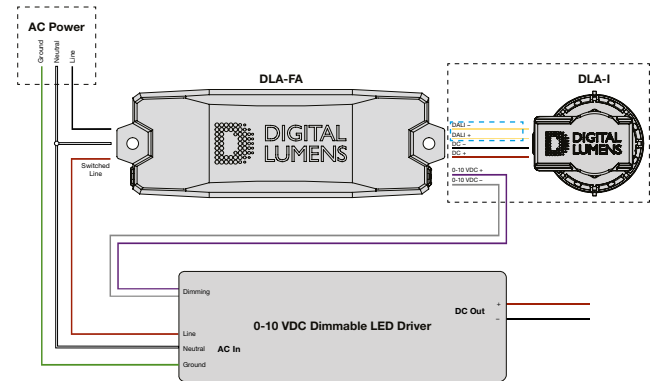


Connection Terminal Diagrams



NOTE:
Newer Versions use 2-Wires (Dotted blue line)
Older Versions use 4-Wires (Dotted black line)

DLA Control Modules with and without Auxiliary Power Inputs



Digital Lumens

374 Congress Street
Suite 600
Boston, MA 02210 USA
Phone +1 617 723 1200
www.digitallumens.com

OSRAM