

SDN-PBC

Wireless Push Button Coupler

Date: _____

Quantity: _____

Company: _____

Project: _____

The Digital Lumens SDN-PBC is a native wireless, intelligent, user configurable push button device which can be installed behind any standard available push button switch. The Wireless Push Button coupler provides familiar push button control for up to four switches and provides them direct communication to the SiteWorx IIoT platform.



Key Features & Benefits

- For both new as existing installs using any standard available push buttons of preferred brand, shape and color
- Line powered for easy installation using existing wiring
- Wireless communication for plug-and-play installation
- Features vacancy, bi-level dimming, manual On/Off, automatic full off, and scene controls

Facility-Wide Insight

SiteWorx Sense and SiteWorx-enabled smart sensors empower facility managers to automate and centralize critical environmental and process data, gain insight into previously invisible areas, apply data trends to minimize loss and leakage, identify predictive maintenance opportunities, and implement activity-based costing.

SiteWorx Sense provides immediate access to customizable alerts, advanced controls, and comprehensive, cloud-based reporting accessible via web and mobile applications.

Instrument for the IIoT

With Digital Lumens intelligent LED luminaires and Digital Light Agent (DLA) lighting controls, your facility is immediately instrumented with SiteWorx, an easily expandable Industrial IoT solution that enables rapid deployment of additional sensor-based applications that extend beyond lighting to deliver even greater operational insight and create new value streams.

Quality and Reliability

Digital Lumens products are designed and manufactured to satisfy the highest standards of customers worldwide and deliver performance, reliability, and long life.

As an OSRAM business, Digital Lumens solutions are supported by a global network of partners and product specialists.

Our Brand

 DIGITAL LUMENS



Specifications

SENSING AND CONTROL

Wireless Networking

- IEEE 802.15.4 Compatible
- 2.4 GHz Band

Onboard Intelligence

- (4x) user-configurable digital inputs (dry contact closure)

ELECTRICAL

Input Voltage

- 220 – 240 VAC

Connections

- Line and neutral terminal inputs
- 4 x digital inputs (dry contact)

Power Consumption

- <0.5 W

ENVIRONMENTAL

IP Rating

- IP20

Operating Temperature

- -4° – 140°F (-20° – 60°C)

Operating Humidity

- 0% – 95% non-condensing

PHYSICAL

Enclosure

- ABS plastic

Dimensions (H x W x D)

- 1.8 x 1.9 x 0.87 inch (48 x 49 x 22 mm)

Weight

- 8.2 oz (233 g)

WARRANTY

- 5-Year Limited Warranty

CERTIFICATIONS

- CE

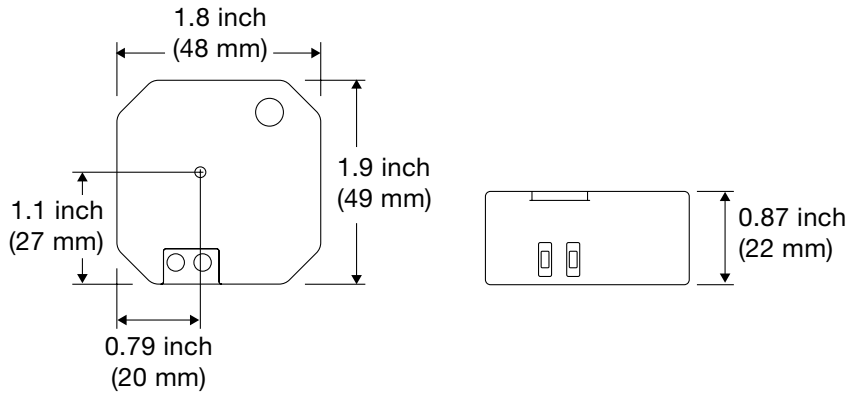


Ordering Information

Part Number

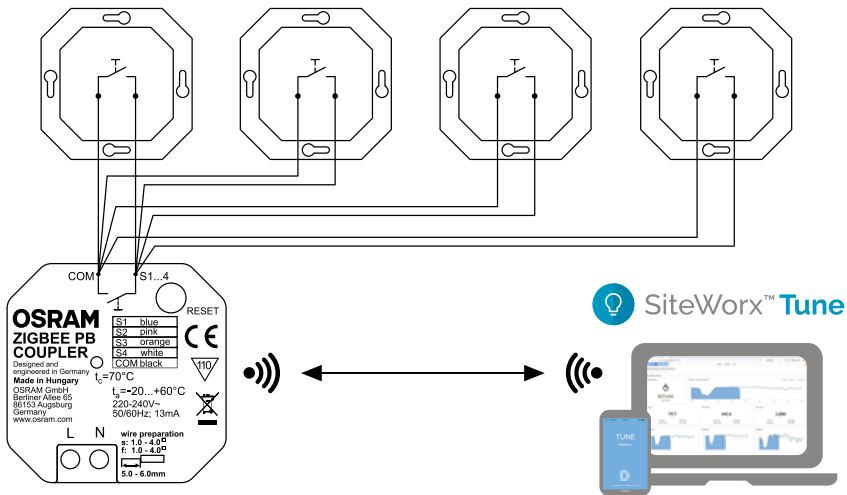
SDN-PBC-CE

Dimensions



Wiring Example

Existing Push Buttons



Digital Lumens

374 Congress Street
Suite 600
Boston, MA 02210 USA
Phone +1 617 723 1200
www.digitallumens.com

OSRAM