

SDN-PWR

SiteWorx Wireless Power Meter

The Digital Lumens SDN-PWR-GP is a wireless, wide range, global meter that collects non-lighting power consumption and characteristics data. This versatile meter links electric loads with the SiteWorx® Sense application to deliver powerful reporting, alerts, and actionable intelligence.

Date: _____

Quantity: _____

Company: _____

Project: _____



Key Features & Benefits

- Meter individual electrical loads in a building for a detailed and comprehensive view of consumption
- Simplify activity based costing to accurately allocate power consumption to each product line or facility area
- Analyze and optimize equipment use schedules to maximize utilization efficiency

Facility-Wide Insight

SiteWorx Sense and SiteWorx-enabled smart sensors empower facility managers to automate and centralize critical environmental and process data, gain insight into previously invisible areas, apply data trends to minimize loss and leakage, identify predictive maintenance opportunities, and implement activity-based costing.

SiteWorx Sense provides immediate access to customizable alerts, advanced controls, and comprehensive, cloud-based reporting accessible via web and mobile applications.

Instrument for the IIoT

With Digital Lumens intelligent LED luminaires and Digital Light Agent (DLA) lighting controls, your facility is immediately instrumented with SiteWorx, an easily expandable Industrial IoT solution that enables rapid deployment of additional sensor-based applications that extend beyond lighting to deliver even greater operational insight and create new value streams.

Quality and Reliability

Digital Lumens products are designed and manufactured to satisfy the highest standards of customers worldwide and deliver performance, reliability, and long life.

As an OSRAM business, Digital Lumens solutions are supported by a global network of partners and product specialists.

Our Brand

 DIGITAL LUMENS



Specifications

SENSING AND CONTROL

Wireless Networking

- IEEE 802.15.4 Compatible
- 2.4 GHz Band

PERFORMANCE

Accuracy

- Nominal $\pm 0.5\%$

Sampling Rate

- 1 sample/minute default

Sample Interval

- 1 – 5 minute (5 minute default)

ELECTRICAL

Nominal Operating Voltage

- 100 – 600 VAC (line-to-neutral or line-to-line)

Maximum & Minimum Operating Voltage

- $\pm 10\%$ on nominal

Phase Monitoring

- Wye and delta, single and three phase

Line Frequency

- 45 – 65 Hz

Supply Watts

- < 2 W

Supply Volt-Amperes

- < 4 VA

Power Factor

- 0.6

ENVIRONMENTAL

Operating Temperature

- -40° – 176° F (-40° – 80° C)

Operating Humidity

- 5% – 90% up to 104° F (40° C), decreasing linearly to 50% at 131° F (55° C)

PHYSICAL

Enclosure

- High impact, ABS/PC plastic

Connectors

- Euroblock style pluggable screw terminal blocks

Dimensions (H x W x D)

- 5.47 x 3.34 x 1.77 inch (135 x 85 x 45 mm)

Weight

- 8.2 oz (233 g)

Mounting Hole Diameter

- 0.2 inch (5.1 mm)

WARRANTY

- 5-Year Limited Warranty

CERTIFICATIONS

- UL/cUL, CE, FCC Part 15 Class A

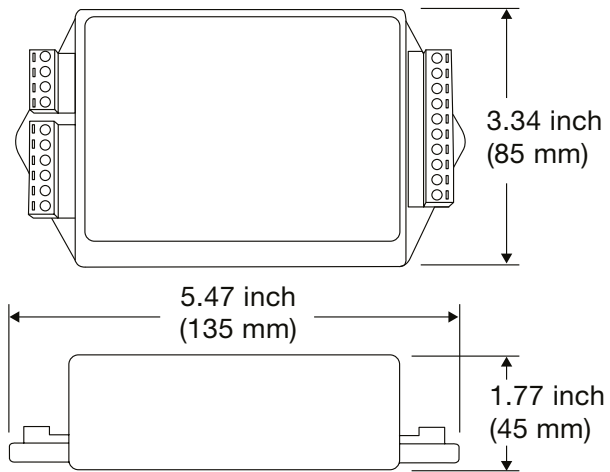


Ordering Information

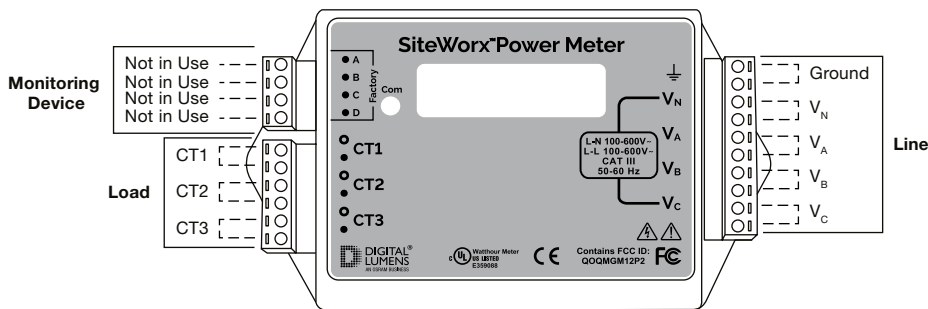
Part Number

SDN-PWR-GP

Dimensions



Connection Terminal Diagram



Digital Lumens

374 Congress Street
Suite 600
Boston, MA 02210 USA
Phone +1 617 723 1200
www.digitallumens.com

OSRAM