

SWN-CRD

Intelligent Plug Load Control

The Digital Lumens SWN-CRD smart cord is an intelligent plug load control device that automatically capitalizes on energy savings opportunities by coordination with occupancy sensors while providing real-time energy savings validation through integrated power metering.

Date: _____

Quantity: _____

Company: _____

Project: _____



Supporting loads between 120-277 VAC (plug dependent), the SWN-CRD has integrated wireless communication and is designed to work seamlessly with SiteWorx Tune and SiteWorx Sense applications.

SiteWorx Tune enables coordination between advanced lighting control, occupancy detection, and plug load control to provide process efficiencies and energy savings.

SiteWorx Sense enables load monitoring, charting, reporting, and alerts to provide operational insights and actions.

Facility-Wide Insight

SiteWorx Sense and SiteWorx-enabled smart sensors empower facility managers to automate and centralize critical environmental and process data, gain insight into previously invisible areas, apply data trends to minimize loss and leakage, identify predictive maintenance opportunities, and implement activity-based costing.

SiteWorx Sense provides immediate access to customizable alerts, advanced controls, and comprehensive, cloud-based reporting accessible via web and mobile applications.

Instrument for the IIoT

With Digital Lumens intelligent LED luminaires and Digital Light Agent (DLA) lighting controls, your facility is immediately instrumented with SiteWorx, an easily expandable Industrial IoT solution that enables rapid deployment of additional sensor-based applications that extend beyond lighting to deliver even greater operational insight and create new value streams.

Quality and Reliability

Digital Lumens products are designed and manufactured to satisfy the highest standards of customers worldwide and deliver performance, reliability, and long life.

As an OSRAM business, Digital Lumens solutions are supported by a global network of partners and product specialists.

Our Brand

 DIGITAL LUMENS

OSRAM

Specifications

SENSING AND CONTROL

Native Sensing

- Auto-ranging power metering

Wireless Networking

- IEEE 802.15.4 compliant
- 2.4 GHz Band

Control Capabilities

- Wireless plug load control
- Alerting via SiteWorx
- Network/Override relay button

PERFORMANCE

Power Metering Range

- 4000W maximum (16A @250VAC)
- 4155W maximum (15A @277VAC)

Power Metering Accuracy

- ±4% (5% – 100% of full load)

ELECTRICAL

Input Voltage

- 120 – 277 VAC (plug dependent)

Maximum Load Current

- 15A UL, 16A CE

Idle Power Consumption

- 0.5W quiescent, 1.5W relay closed

Surge Suppression

- 4kV L-L, 4kV L-PE, N-PE or: L/N-PE

ENVIRONMENTAL

IP Rating

- IP50

Operating Temperature

- -4° – 122°F (-20° – 40°C)

Operating Humidity

- 0% – 95%, non-condensing

PHYSICAL

Enclosure

- PC/PBT plastic

Cable Options

- SOOW (NEMA 5-15 connectors — UL)
- H05RN-F (CEE 7/7 and 7/3 — CE)

Cable Length

- 2.6 feet (800 mm)

Dimensions (H x W x D)

- 7.9 x 2.8 x 1.6 inch (200 x 71 x 42 mm)

Weight

- 12.8 oz (363 g)

Mounting Hole Spacing

- (2X) 6 x 1.5 inch (150 x 39 mm)

Mounting Hole Diameter

- 0.22 inch (5.5 mm)

WARRANTY

- 5-Year Limited Warranty

CERTIFICATIONS

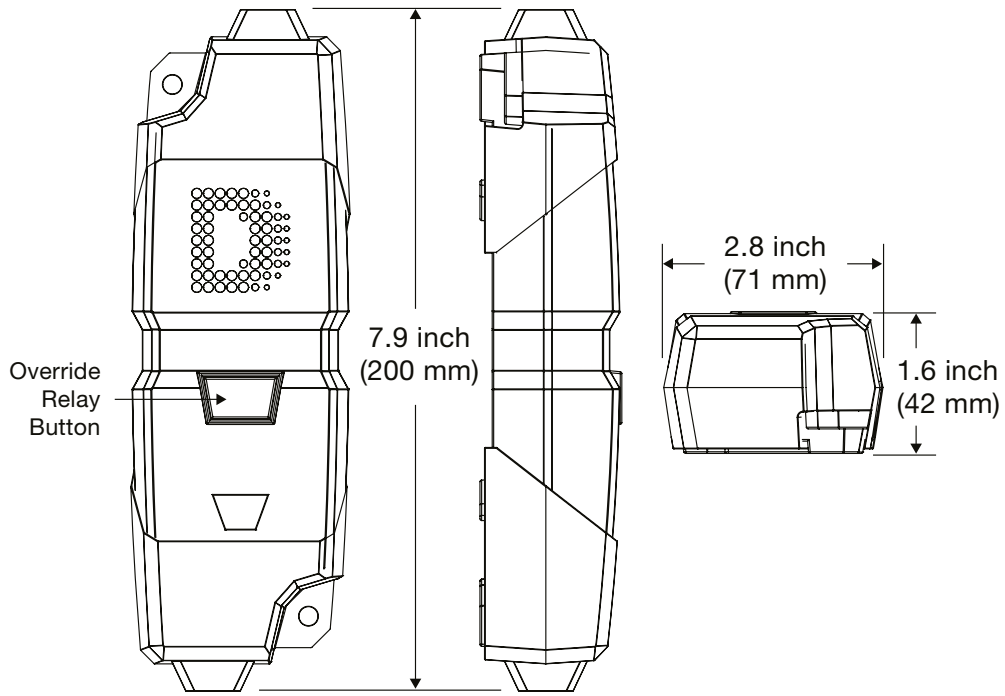
- UL/cUL, UL-NOM, CE, FCC Part 15 Class B, EN60730



Ordering Information

Part Number	Description
SWN-CRD-ST	NEMA 5-15 — UL
SWN-CRD-CE	CEE 7/7 — CE

Dimensions



Digital Lumens

374 Congress Street
Suite 600
Boston, MA 02210 USA
Phone +1 617 723 1200
www.digitallumens.com

OSRAM