

PRODUCT SAFETY

When using electrical equipment, basic safety precautions should always be followed, including the following:



READ THESE INSTRUCTIONS BEFORE USING THIS PRODUCT.



Do not use SWN-CRD hardware if the housing is damaged.



Do not apply paint, lubricants or other coatings to the SWN-CRD housing.



This product must be installed in accordance with the applicable installation code by a person familiar with the construction and operation of the product and the hazards involved.



To avoid risk of electrical shock, disconnect power before installing or wiring the SWN-CRD.



For use in environments where an accumulation of non-conductive dust on the SWN-CRD may be expected.



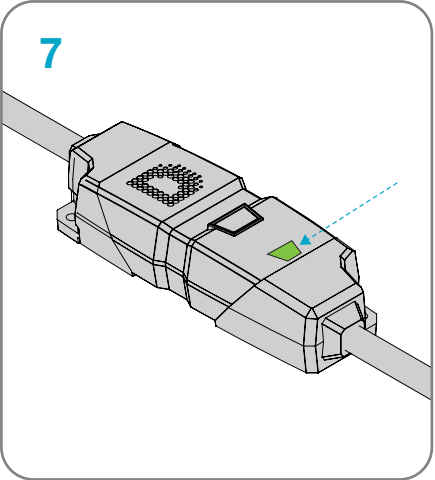
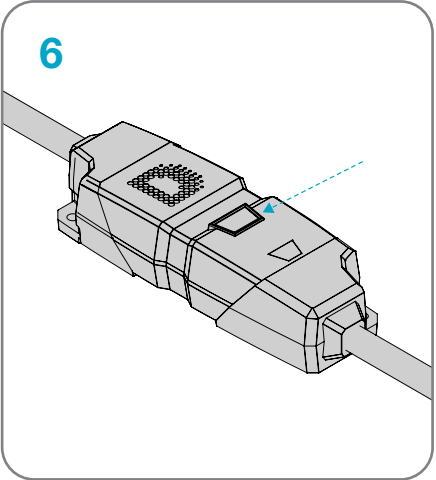
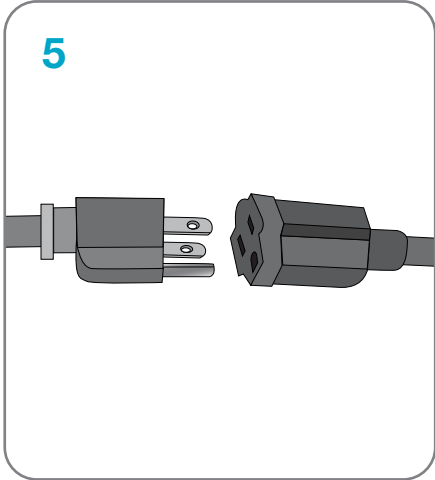
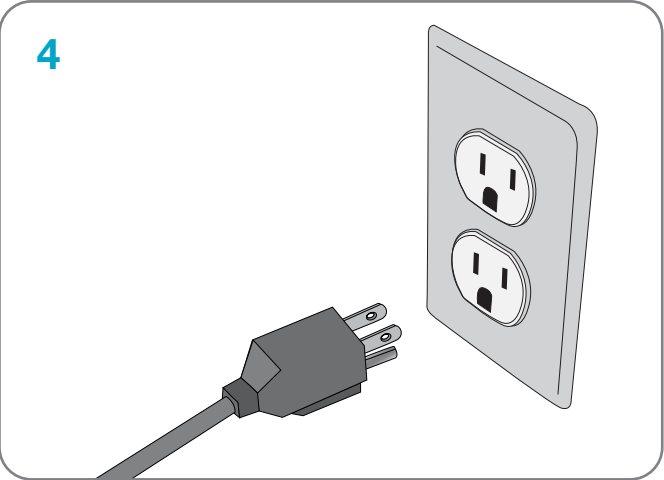
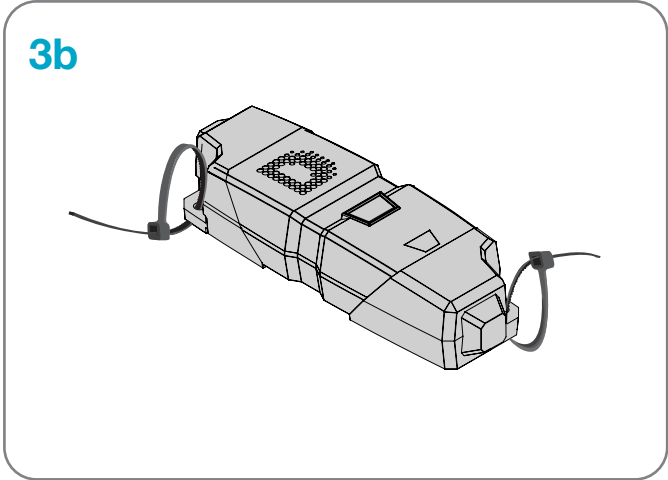
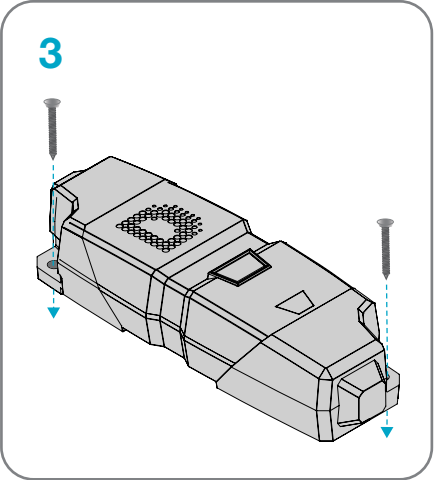
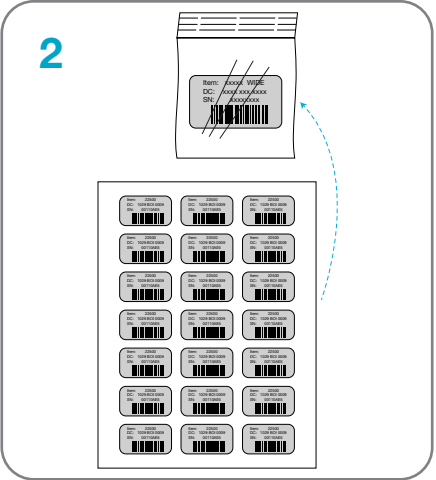
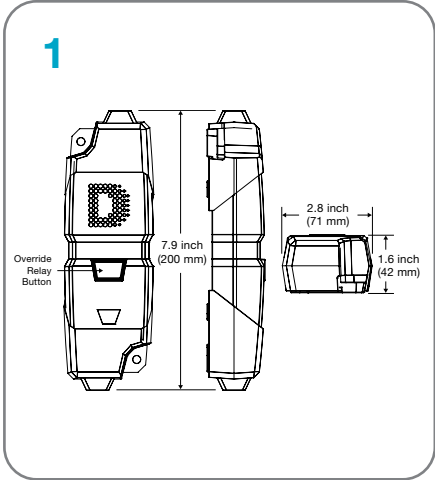
Do not remove male or female connectors from the device; do not use flying leads.



SAVE THESE INSTRUCTIONS.

SWN-CRD

INSTALLATION INSTRUCTIONS



GETTING STARTED

Helpful Hints:

- Consult the SWN-CRD specification sheet for details regarding product environmental ratings.
- Consult the SWN-CRD specification sheet for details regarding product electrical operational limits.

Note: Do not exceed the maximum electrical load current (A) of the SWN-CRD to avoid damage to the unit.

- 15A for UL
- 16A for CE

Standard Installation Method

- 1 Review the SWN-CRD dimensional drawings, above **(Illustration 1)**.
- 2 Remove the extra serial number label and add it to the sticker map **(Illustration 2)**.
- 3 Mount the Device to a suitable structure or surface. Suggested mounting options: (installer-supplied products/materials):
 - a. Fastener method **(Illustration 3a)**.
 - b. Nylon cable tie method **(Illustration 3b)**.
- 4 Plug the SWN-CRD into an appropriate power source, please reference the SWN-CRD spec sheet for electrical characteristics **(Illustration 4)**.
- 5 Plug the device (load) into the receptacle of the SWN-CRD **(Illustration 5)**.
- 6 Depress the button located on the SWN-CRD to power ON the device **(Illustration 6)**.

Notes: Once powered ON, the SWN-CRD status indicator is illuminates solid BLUE for ten seconds. Once connected to the wireless network, the indicator blinks in an alternating GREEN and RED pattern. If disconnected from the network, the indicator blinks RED only **(Illustration 7)**.

Pairing Mode

To locate the SWN-CRD, Digital Lumens commissioning software requires that the device is powered ON. Use Digital Lumens Commissioner software to select and program the paired SWN-TRH (refer to the Digital Lumens Commissioner user documentation for details)

Digital Lumens

374 Congress Street
Suite 600
Boston, MA 02210 USA
Phone +1 617 723 1200
www.digitallumens.com

