

# SWN-KPD

## Manual Lighting Control

Date: \_\_\_\_\_

Quantity: \_\_\_\_\_

Company: \_\_\_\_\_

Project: \_\_\_\_\_

The Digital Lumens SiteWorx® Keypad is a wireless, intelligent user configurable keypad that allows for local lighting management. The SiteWorx Keypad provides familiar push button lighting control with direct communication to the SiteWorx platform.



### Key Features & Benefits

- Line voltage powered for easy installation into any existing single-gang Junction Box
- Wireless communication for simple installation
- Vacancy, Bi-Level Dimming, Manual On/Off, Automatic Full Off, and Scene controls

### Maximize Energy Savings

With SiteWorx Tune, customize and apply industry-leading lighting control strategies — including daylight harvesting and off-hour setback — to achieve up to 90% energy savings. Accessible via web and mobile applications, intuitive software provides easy management of lighting system settings and comprehensive reporting tools to maximize energy savings, safety, and visual comfort.

### Instrument for the IIoT

With Digital Lumens intelligent LED luminaires and Digital Light Agent (DLA) lighting controls, your facility is immediately instrumented with SiteWorx, an easily expandable Industrial IoT solution that enables rapid deployment of additional sensor-based applications that extend beyond lighting to deliver even greater operational insight and create new value streams.

### Quality and Reliability

Digital Lumens products are designed and manufactured to satisfy the highest standards of customers worldwide and deliver performance, reliability, and long life.

As an OSRAM business, Digital Lumens solutions are supported by a global network of partners and product specialists.

Our Brand

 DIGITAL LUMENS

**OSRAM**

## Specifications

### SENSING AND CONTROL

#### Onboard Intelligence

- (4x) user-configurable push buttons

#### Wireless Networking

- IEEE 802.15.4 compliant
- 2.4 GHz Band

### ELECTRICAL

#### Input Voltage

- 120 – 277 VAC, 50/60 Hz 40 mA

#### Power Connections

- 16 AWG flying leads

#### Standby Power

- <0.5W

### ENVIRONMENTAL

#### IP Rating

- IP30

#### Operating Temperature

- 32° – 122°F (0° – 50°C)

#### Operating Humidity

- 0% – 95%, non-condensing, for indoor use only

### PHYSICAL

#### Dimensions (H x W x D)

- Without Wall Plate:  
1.8 x 4.4 x 1.9 inch (45 x 112 x 47 mm)
- With Wallplate:  
2.78 x 4.6 x 1.9 inch (70 x 117 x 47 mm)

#### Weight

- 3.15 oz (90 g)

### WARRANTY

- 5-Year Limited Warranty

### CERTIFICATIONS

- UL/cUL, UL-NOM, FCC Part 15 Class B, CE, E148771, CSA, Title 24, ASHRAE 90.1-2016, IECC, DLC Advanced Lighting Controls

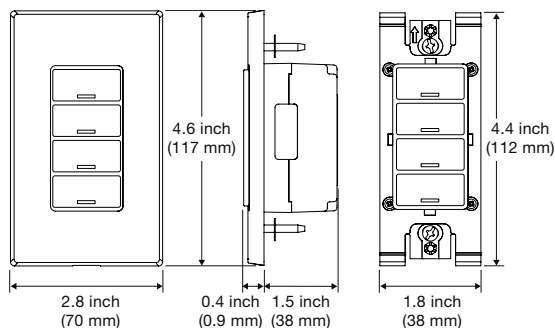


## Ordering Information

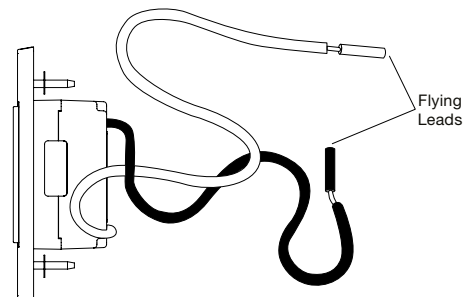
### Part Number

SWN-KPD-GP

## Dimensions



## Power Connection Installation



### Digital Lumens

374 Congress Street  
Suite 600  
Boston, MA 02210 USA  
Phone +1 617 723 1200  
www.digitallumens.com

**OSRAM**