








PRODUCT SAFETY

When using electrical equipment, basic safety precautions should always be followed, including the following:

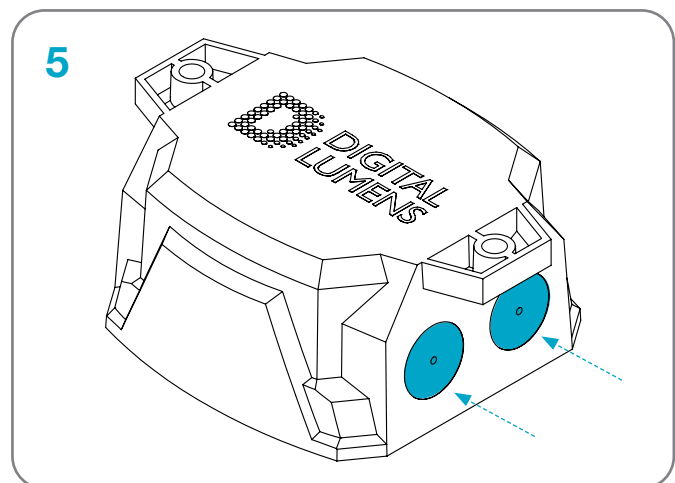
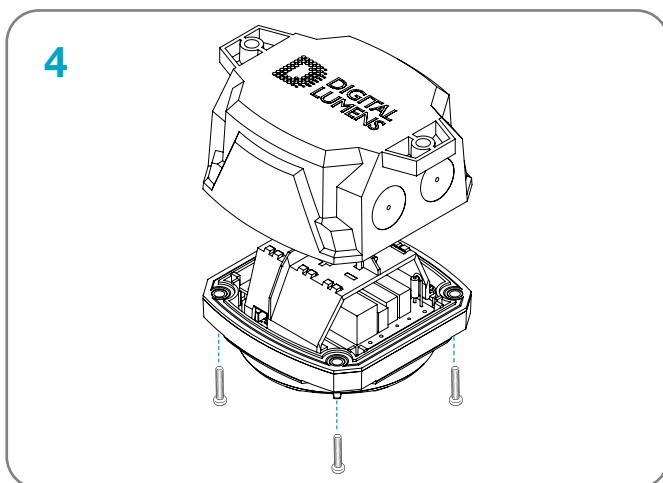
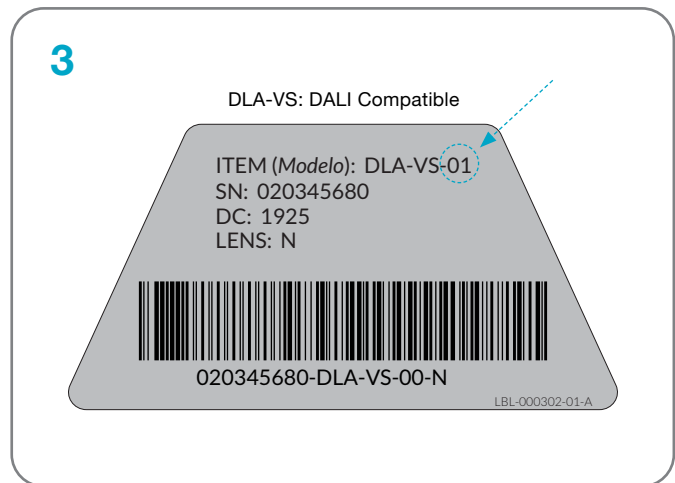
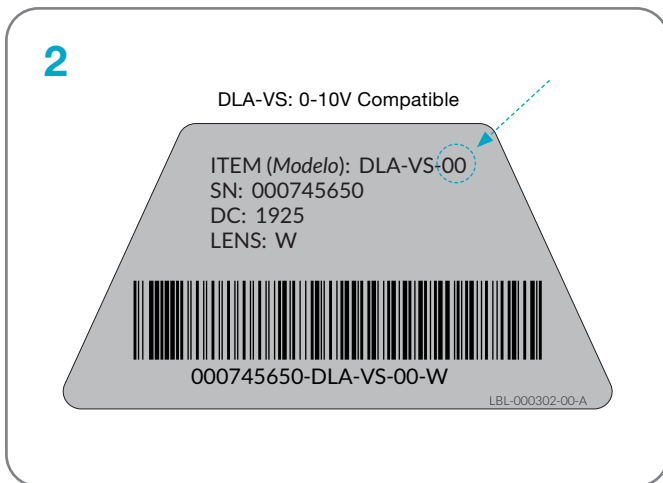
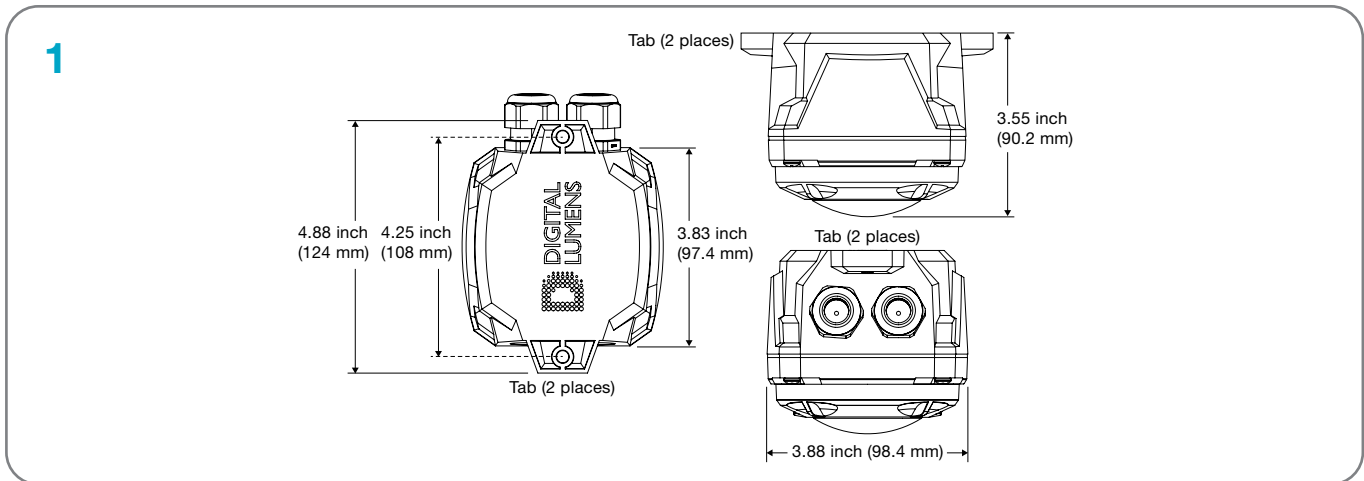


READ THESE INSTRUCTIONS BEFORE USING THIS PRODUCT.

-  Digital Light Agent™ (DLA) hardware must be installed in accordance with the applicable installation code by a person familiar with the construction and operation of the product and the hazards involved.
-  To avoid risk of electrical shock, disconnect power before installing, wiring, or servicing DLA hardware.
-  Do not use luminaire or DLA hardware if the housing, lens, or wires are damaged.
-  Do not apply paint, lubricants, or other coatings to the DLA housing.
-  Use a dry cloth to clean the DLA housing or sensor optic.
-  Wire connections shall be rated suitable for the wire size (lead and building wiring) employed.
-  Control must be mounted with lens installed and facing downwards to maintain Type 3 rating.

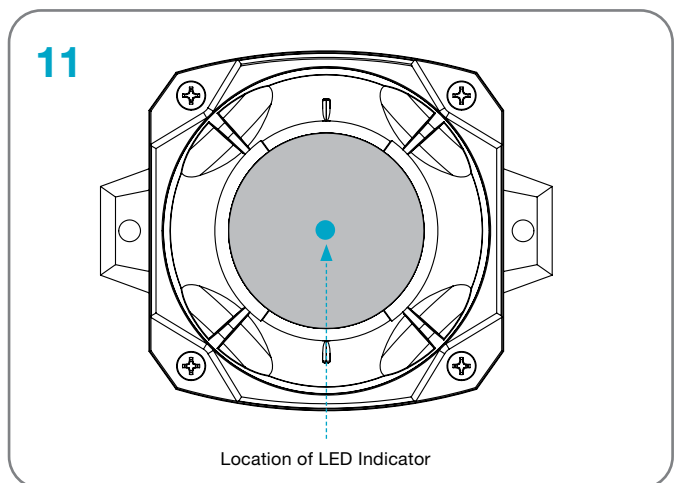
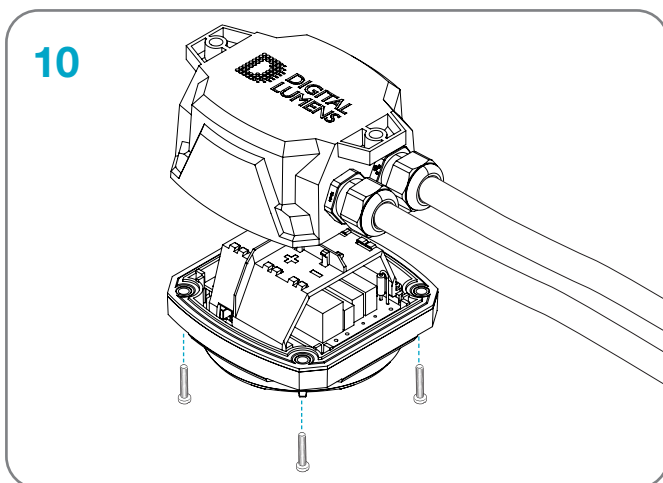
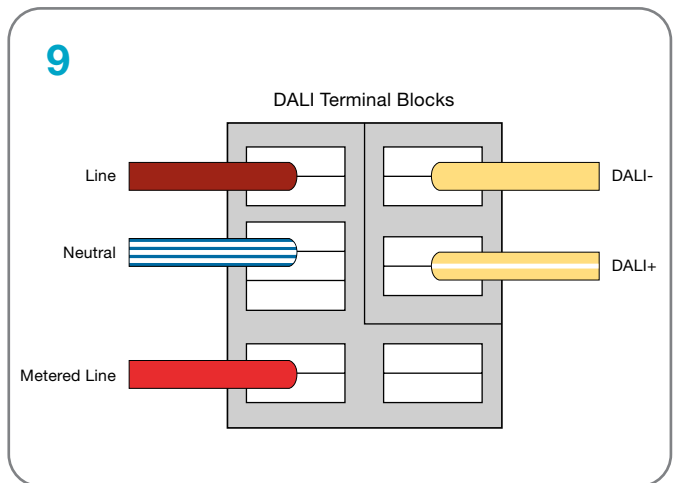
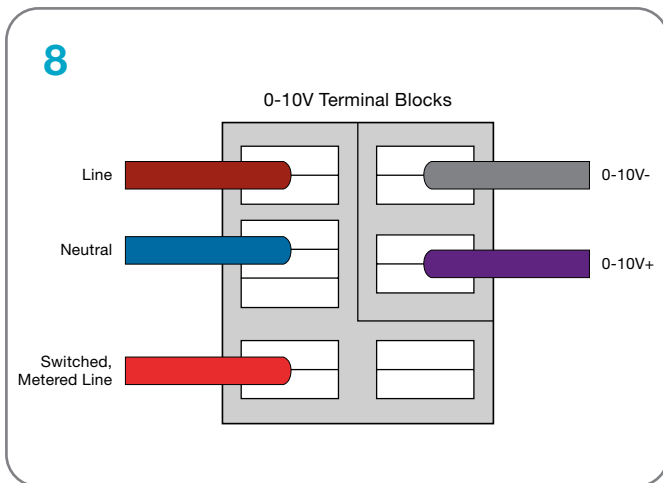
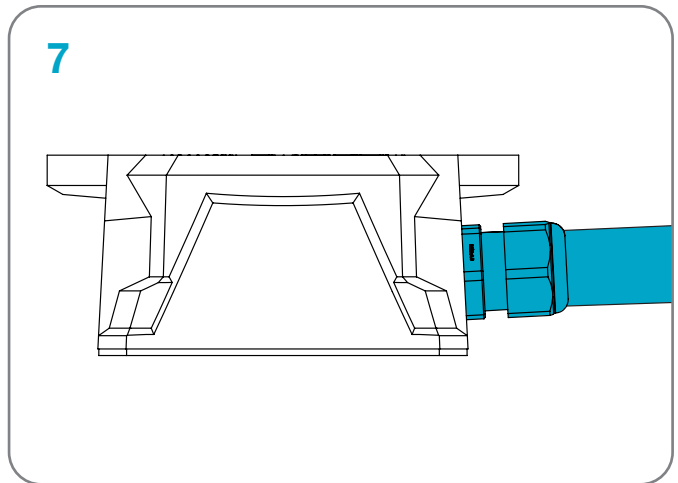
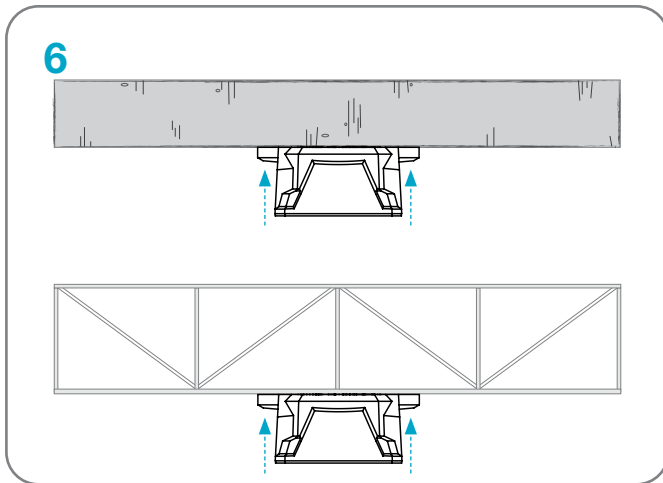


SAVE THESE INSTRUCTIONS.



DLA-VS

INSTALLATION INSTRUCTIONS



GETTING STARTED

Helpful Hints

- Ensure the lens has a clear field of view when installed.
- Do not mount the DLA within 5 ft (1.5m) of an air vent.
- Control wires — 0-10V (grey, purple) or DALI (yellow, yellow stripe) — are Class 2/SELV circuits.

Product Specifications

Communication

MODEL	TERMINAL	RATING
DLA-VS-00 0-10 V	DIM+, DIM- Purple, Grey	0-10V Class 2, SELV Limited Energy (<15W) circuits. Note: When connected in same cable or routed in same conduit, all leads need to be wired as Class 1 circuits.
DLA-VS-01 DALI	DIM+, DIM- Yellow, Yellow Stripe	DALI Class 2, SELV Limited Energy (<15W) circuits. Note: When connected in same cable or routed in same conduit, all leads need to be wired as Class 1 circuits.

Line Inputs

MODEL	TERMINAL	RATING
DLA-VS-00 0-10 V	AC Line, AC Neutral	120 – 480VAC, 50/60 Hz, 3.5A
DLA-VS-01 DALI	AC Line, AC Neutral	120 – 277VAC, 50/60 Hz, 3.5A

Line Outputs

MODEL	TERMINAL	RATING
DLA-VS-00 0-10 V	Switched, Metered Line	– 120VAC, 3.5A, electronic ballast – 277VAC, 1.5A, electronic ballast – 347VAC, 1.5A, electronic ballast – 480VAC, 0.67A, electronic ballast
DLA-VS-01 DALI	Metered Line	Up to 3.5A load

Digital Lumens

374 Congress Street
Suite 600
Boston, MA 02210 USA
Phone +1 617 723 1200
www.digitallumens.com

Standard Installation Method for DLA-VS

- 1 Review the dimensional drawings for the DLA-VS (**Illustration 1**).
- 2 Check the product label to verify that the DLA-VS unit is compatible with your control protocol, either 0-10V or DALI (**Illustrations 2, 3**).
- 3 Remove the (4x) fasteners from the electronics module and detach the electronics module from the DLA-VS housing (**Illustration 4**).
- 4 Drill (1x) input and (1x) output holes in the DLA-VS housing using a ½-inch trade-size drill bit (**Illustration 5**).
- 5 Mount the DLA-VS housing to a flat surface or Unistrut® using suitable fasteners (**Illustration 6**).
- 6 Install conduit or cable using the included cable gland. Ensure that wiring meets national, state, and local electrical code requirements (**Illustration 7**).
- 7 Make power & dimming connections to the WAGO® terminal blocks (**Illustrations 8, 9**).
- 8 Replace the electronics module and re-install the (4x) fasteners (**Illustration 10**).
- 9 Apply AC Power to the DLA-VS. Use the LED indicator to verify that the unit is powered and connected to the network (**Illustration 11**):
 - The red indicator displays a double blink pattern.
 - The blue indicator displays a slow, single-blink pattern.**Note:** Until programmed using Commissioner software from Digital Lumens, the luminaire connected to the DLA-VS will remain ON at 100% with occupancy sensing disabled. (Active Level: 100%. Inactive Level: 100%. Occupancy Sensor Delay: Sensor Inactive)