

# DLGW3

## Network Gateway 3

The Digital Lumens Network Gateway 3 provides access to Digital Lumens' Industrial IoT solution, SiteWorx™, without the need for a server, while enabling actionable facility data for increased efficiency and energy savings.

Date: \_\_\_\_\_

Quantity: \_\_\_\_\_

Company: \_\_\_\_\_

Project: \_\_\_\_\_



### Key Features & Benefits

- PoE (Power over Ethernet) device, eliminating the need for power service installation
- AC-DC power supply is available when PoE functionality is not desired
- Operates effectively in demanding commercial and industrial environments
- Mounts to ceiling structures, walls, and suitable vertical surfaces

### Maximize Energy Savings

With SiteWorx Tune, customize and apply industry-leading lighting control strategies — including daylight harvesting and off-hour setback — to achieve up to 90% energy savings. Accessible via web and mobile applications, intuitive software provides easy management of lighting system settings and comprehensive reporting tools to maximize energy savings, safety, and visual comfort.

### Instrument for the IIoT

With Digital Lumens intelligent LED luminaires and Digital Light Agent (DLA) lighting controls, your facility is immediately instrumented with SiteWorx, an easily expandable Industrial IoT solution that enables rapid deployment of additional sensor-based applications that extend beyond lighting to deliver even greater operational insight and create new value streams.

### Quality and Reliability

Digital Lumens products are designed and manufactured to satisfy the highest standards of customers worldwide and deliver performance, reliability, and long life.

As an OSRAM business, Digital Lumens solutions are supported by a global network of partners and product specialists.

Our Brand

 DIGITAL LUMENS

**OSRAM**

## Specifications

---

### SENSING AND CONTROL

#### Wireless Networking

- IEEE 802.15.4 Compatible 2.4 GHz Band

#### Network Integration

- 10/100 internet

### ELECTRICAL

#### IP Rating

- IP51<sup>1</sup>

#### Storage Temperature

- -40° – 122°F (-40° – 50°C)

#### Operating Temperature

- -40° – 122°F (-40° – 50°C)

#### Operating Humidity

- 0% – 95%, non-condensing

### ENVIRONMENTAL

#### Standard Power Source

- PoE (Power over Ethernet)

#### Electrical Protection

- Integrated Surge, ESD Protector

#### Optional Power Source

- AC-DC power supply for low-temp environments (ordered separately)

#### DC Power Input (for optional Power Source)

- 12 – 48 VDC, 3 W maximum<sup>2</sup>

### PHYSICAL

#### Enclosure

- PC

#### Radio Antenna

- External swivel, RP-SMA

### Connectors

- RJ45 10/100 Ethernet (PoE/non-PoE)
- Push-in DC power input
- Micro-USB type B
- Host-USB type A

### Status LED

- Network (red/blue)
- Health (red/blue/green)
- System (red/blue)
- Mode (green/yellow)

### Dimensions (H x W x D)

- 1.3 x 6.6 x 4.7 inch (33 x 168 x 119 mm)

### Weight

- 9 oz (255 g)

### Mounting Hole Spacing

- 6 in (152 mm) center-to-center

### Mounting Hole Diameter

- 0.24 inch (6.1 mm)

### WARRANTY

- 5-Year Limited Warranty

### CERTIFICATIONS

- FCC Part 15 Class A



## Ordering Information

---

### Part Number

DLGW3

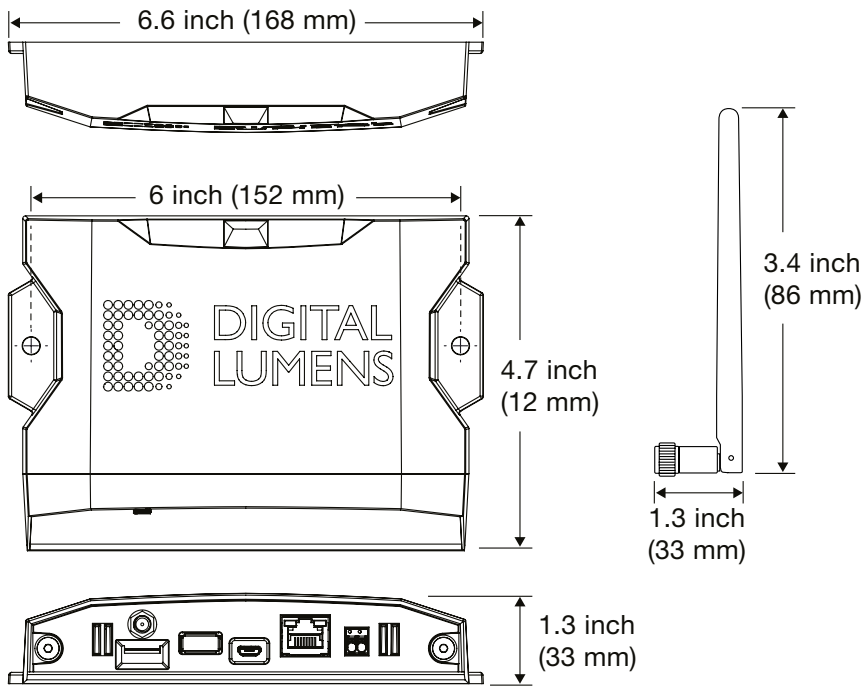
---

#### Footnotes:

<sup>1</sup> When mounted properly, as per Installation Instructions.

<sup>2</sup> UL-listed LPS power supply for UL installations.

## Dimensions



**Digital Lumens**

374 Congress Street  
Suite 600  
Boston, MA 02210 USA  
Phone +1 617 723 1200  
www.digitallumens.com

**OSRAM**