

SWN-WIO

Wireless Input/Output Module

The Digital Lumens SWN-WIO is a DIN rail-mounted, wireless, multi-function I/O module that connects and integrates an extensive range of industrial sensors with the SiteWorx™ Sense application to collect and act upon facility, process, and production data.

Date: _____

Quantity: _____

Company: _____

Project: _____



Key Features & Benefits

- Supports an extensive range of analog industrial sensors and data streams from devices such as flow, pressure, air quality, moisture, vibration, surface temperature, or decibel sensors.
- Connects up to two 0-10V, 4-20mA analog sensors; two Continental Controls Systems WattNode Modbus power meters; and contains one low-voltage relay up to 60 VDC 0.5A.
- Monitor facilities, optimize processes, or better understand line-level cost allocation through monitoring and metering of critical utility services and environmental attributes.
- Dramatically reduce reporting time by automating auditable, secure, and unalterable record storage and reporting.
- Log and archive detailed and accurate data through customizable collection rates.

Facility-Wide Insight

SiteWorx Sense and SiteWorx-enabled smart sensors empower facility managers to automate and centralize critical environmental and process data, gain insight into previously invisible areas, apply data trends to minimize loss and leakage, identify predictive maintenance opportunities, and implement activity-based costing.

SiteWorx Sense provides immediate access to customizable alerts, advanced controls, and comprehensive, cloud-based reporting accessible via web and mobile applications.

Instrument for the IIoT

With Digital Lumens intelligent LED luminaires and Digital Light Agent (DLA) lighting controls, your facility is immediately instrumented with SiteWorx, an easily expandable Industrial IoT solution that enables rapid deployment of additional sensor-based applications that extend beyond lighting to deliver even greater operational insight and create new value streams.

Quality and Reliability

Digital Lumens products are designed and manufactured to satisfy the highest standards of customers worldwide and deliver performance, reliability, and long life.

As an OSRAM business, Digital Lumens solutions are supported by a global network of partners and product specialists.

Our Brand

 DIGITAL LUMENS



Specifications

SENSING AND CONTROL

Analog Inputs

- (2x) 4 – 20mA / 0 – 10 VDC

Relay Output

- Switch relay up to 60V, 0.5A

Serial Port

- Electrically isolated RS-485

ESD Protection

- Per IEC60730

Wireless Networking

- IEEE 802.15.4 compliant
- 2.4 GHz Band

PERFORMANCE

Analog Measurement Accuracy

- Voltage mode $\pm 2\%$
- Current mode $\pm 2\%$

Sampling Resolution

- 12-bit

Sampling Rate

- 1 sample/minute default

Sample Interval

- 1 – 5 minute (5 minute default)

Analog Input Voltage (in voltage mode)

- 0 – 24 VDC (1.5V in 4 – 20mA mode)

ELECTRICAL

Input Voltage

- 120 – 277 VAC or 24 VDC (Class 2)

Input Power Consumption

- 0.5W quiescent, 4W maximum

Auxiliary Output

- 24 VDC, 2.75W maximum

AC Surge Protection

- Per IEC60730

ENVIRONMENTAL

IP Rating

- IP20

Operating Temperature

- -4° – 122° F (-20° – 50° C)

Operating Humidity

- 0% – 95%, non-condensing

PHYSICAL

Enclosure

- PC plastic

Mounting

- DIN rail – 1.4 inch (35 mm)

Dimensions (H x W x D)

- 4.2 x 3.6 x 2.3 inch (107 x 91 x 58 mm)

Weight

- 7.9 oz (224 g)

WARRANTY

- 5-Year Limited Warranty

CERTIFICATIONS

- UL/cUL, UL-NOM (pending), CE, FCC Part 15 Class B

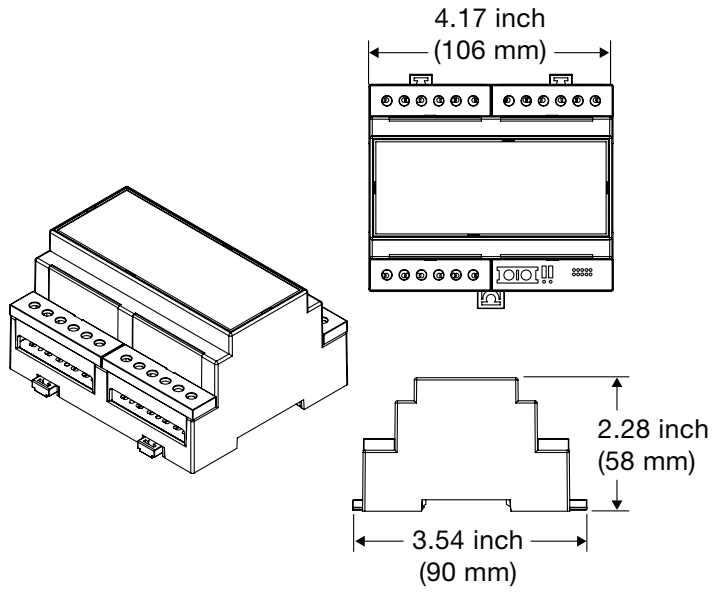


Ordering Information

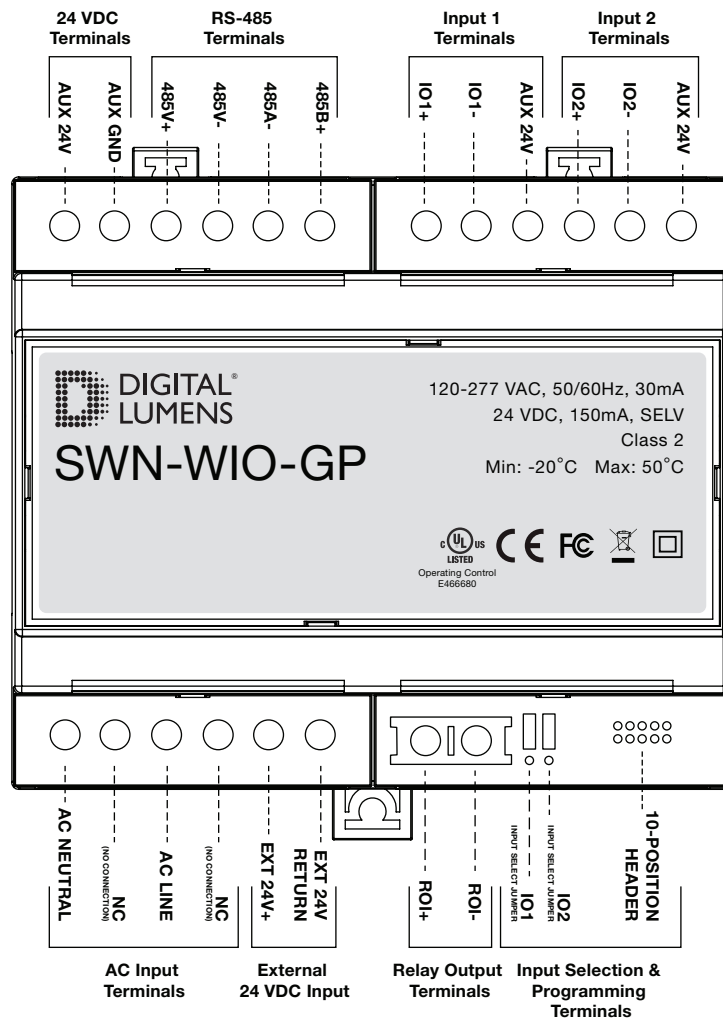
Part Number

SWN-WIO-GP

Dimensions



Connection Terminal Diagram



Digital Lumens

374 Congress Street
Suite 600
Boston, MA 02210 USA
Phone +1 617 723 1200
www.digitallumens.com

OSRAM