

### PRODUCT SAFETY

When using electrical equipment, basic safety precautions should always be followed, including the following:



**READ THESE INSTRUCTIONS BEFORE USING THIS PRODUCT.**



Digital Light Agent™ (DLA) hardware must be installed in accordance with the applicable installation code by a person familiar with the construction and operation of the product and the hazards involved.



To avoid risk of electrical shock, disconnect power before installing, wiring, or servicing DLA hardware.



Do not use fixture or DLA hardware if the housing, sensor optic or wires are damaged.



Do not apply paint, lubricants or other coatings to the DLA housing.



Use a dry cloth to clean the DLA housing and sensor optic.



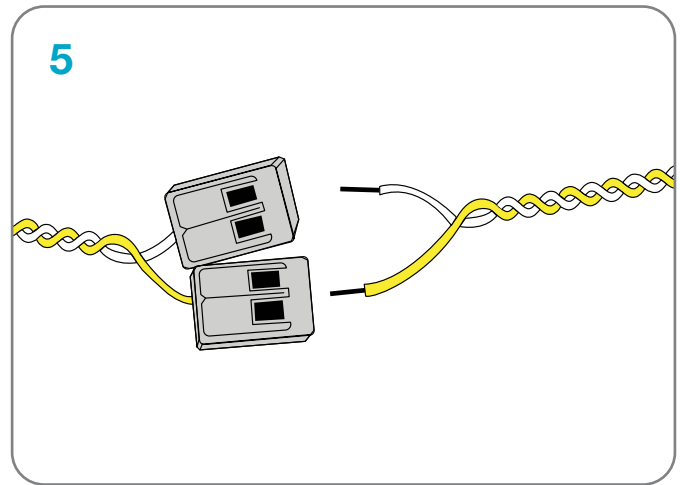
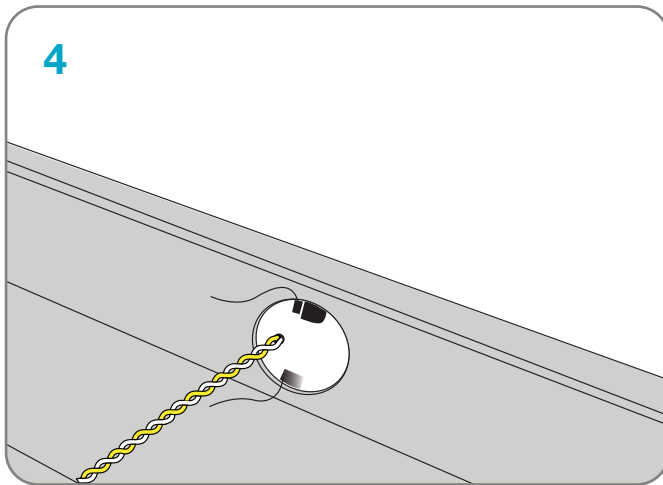
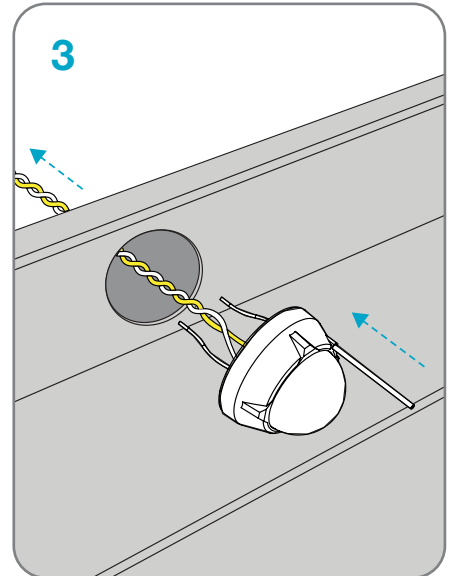
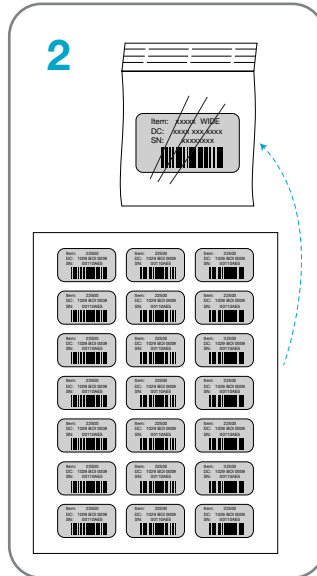
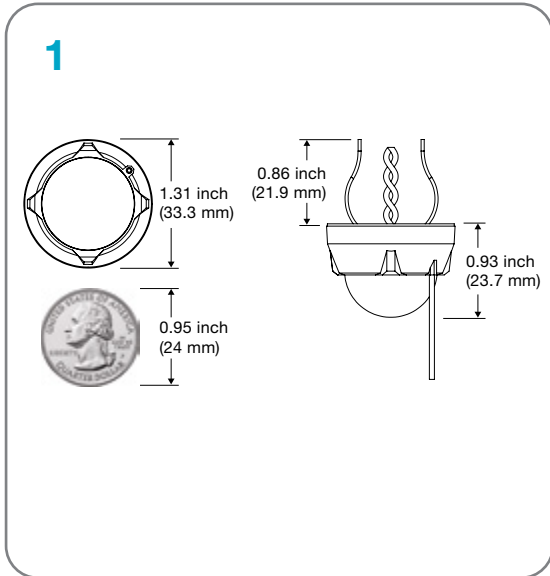
**SAVE THESE INSTRUCTIONS.**

---

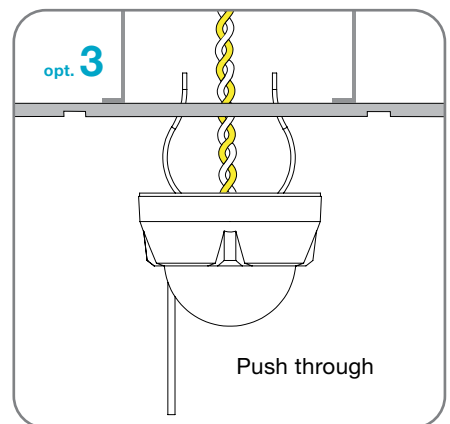
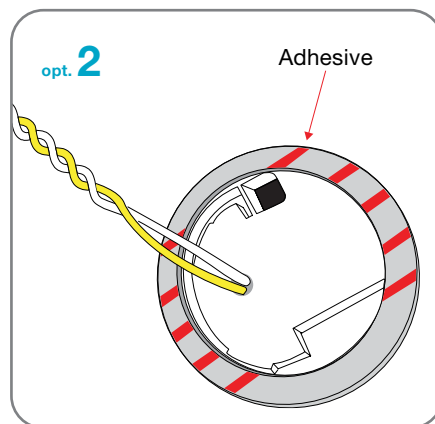
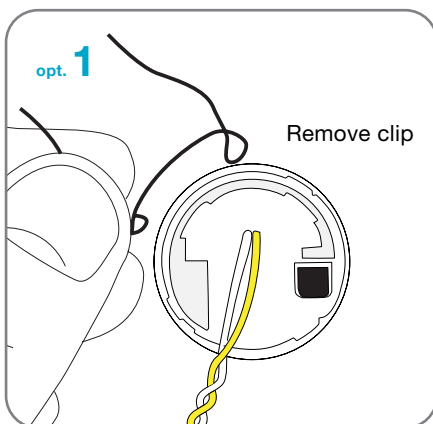
# DLA-M-E

## INSTALLATION INSTRUCTIONS

### STANDARD STEPS



### OPTIONAL STEPS



### GETTING STARTED

#### Helpful Hints

- Install the DLA-M-E sensor in a manner so as to provide a clear field of view for the lens.
- Do not mount the DLA-M-E sensor within 5 ft (1.5m) of air vent.
- Consult the DLA-M-E specification sheet for details regarding mounting heights and occupancy sensor coverage patterns.
- Install the sensor with the antenna oriented away from the light source.

**Note:** The DLA-M-E is designed to install within a third-party fixture housing or into a drop ceiling panel.

### INSTALLATION STEPS

#### Standard Installation Method (Clips to ½ in Knockout)

- 1 Review the DLA-M-E dimensional drawings (**Illustration 1**).
- 2 Remove the extra serial number label and add it to the sticker map (**Illustration 2**).
- 3 The DLA-M-E requires a 1/2 in trade-size knockout (0.885 in / 2.225 cm hole) in a panel no greater than .1 in / 0.25 cm thick for proper mounting.
- 4 Feed the wires attached to the DLA-M-E along with WAGO™ connectors through the mounting hole (**Illustration 3**).
- 5 Push DLA-M-E into hole, springs first, until DLA-M-E is securely flush against the mounting surface (**Illustration 4**).
- 6 Make electrical connections using supplied WAGO™ connectors. Electrical connections should be made in accordance with applicable electrical code (**Illustration 5**).
- 7 Install the third-party fixture as per the manufacturer's instructions.

#### Alternate Installation Method (Adhesive Tape)

- 1 Review the DLA-M-E dimensional drawings (**Illustration 1**).
- 2 Remove the extra serial number label and add it to the sticker map (**Illustration 2**).

- 3 Remove metal spring clip from DLA-M-E (**Illustration Optional 1**).
- 4 Drill a 5 mm hole in the desired mounting surface.
- 5 Clean mounting surface and ensure it is free of dust and other debris.
- 6 Remove protective backing to expose adhesive (**Illustration Optional 2**).
- 7 Feed the wires attached to the DLA-M-E through the 5mm hole in the mounting surface.
- 8 Firmly press DLA-M-E and adhesive against the mounting surface, ensuring wires have been pulled through the hole and are not interfering with adhesive or installation.
- 9 Make electrical connections using supplied WAGO™ connectors. Electrical connections should be made in accordance with applicable electrical code (**Illustration 5**).

#### Alternate Installation Method (Pushes into Drop Ceiling)

- 1 Review the DLA-M-E dimensional drawings (**Illustration 1**).
- 2 Remove the extra serial number label and add it to the sticker map (**Illustration 2**).
- 3 Drill a 5 mm hole in the ceiling tile panel.
- 4 Feed the wires attached to the DLA-M-E through the 5 mm hole in the ceiling tile panel.
- 5 Firmly press DLA-M-E spring through ceiling tile so spring clip penetrates the ceiling tile panel, ensuring control wires have been pulled through the hole and are not interfering (**Illustration Optional 3**).
- 6 Make electrical connections using supplied WAGO™ connectors behind the ceiling panel. Electrical connections should be made in accordance with applicable electrical code (**Illustration 5**).

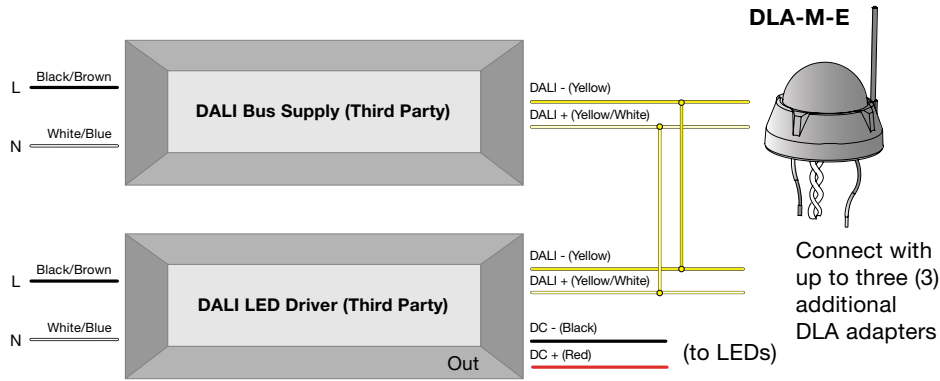
# DLA-M-E

## INSTALLATION INSTRUCTIONS

### WIRING DIAGRAMS

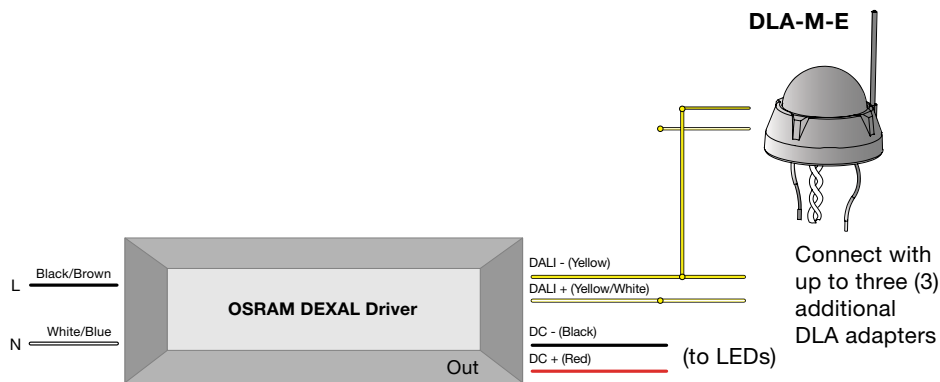
Make Power and Data Connections

#### 1 DALI Wiring



**Note:** Use 18 to 22 AWG (0.82 to 0.33 m<sup>2</sup>) wiring

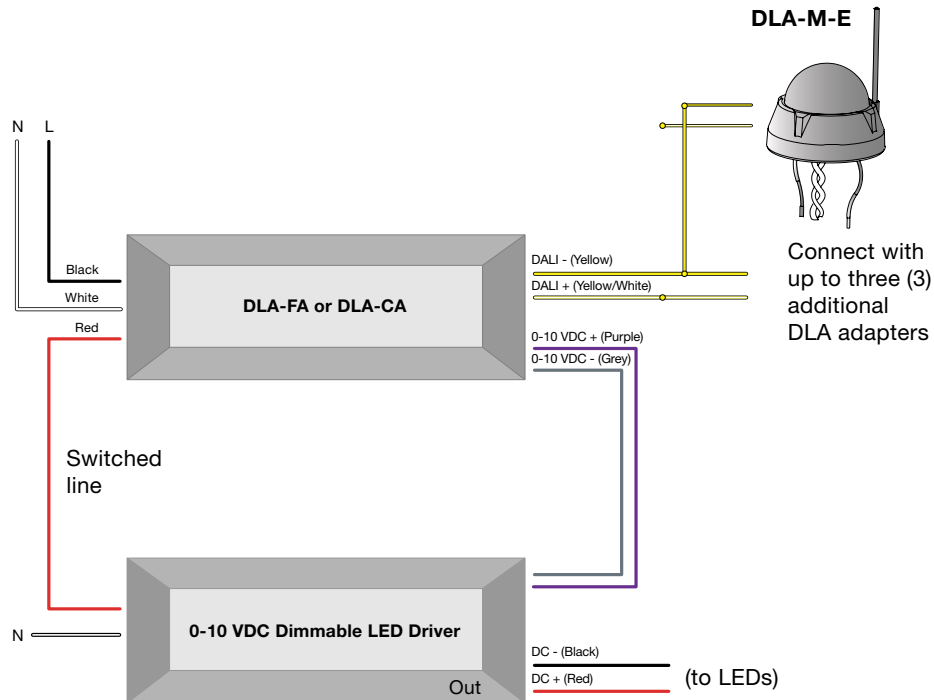
#### 2 OSRAM DEXAL™ Wiring\*



**Note:** Use 18 to 22 AWG (0.82 to 0.33 m<sup>2</sup>) wiring

\* Use this wiring method for SR Ready DALI and Philips SR drivers.

### 3 0-10 VDC Wiring



**Note:** Use 18 to 22 AWG (0.82 to 0.33 m<sup>2</sup>) wiring

Connect with up to three (3) additional DLA adapters

**Digital Lumens**

374 Congress Street  
Suite 600  
Boston, MA 02210 USA  
Phone +1 617 723 1200  
[www.digitallumens.com](http://www.digitallumens.com)

