

# SWN-KPD-ST

## Manual Control Device for the Intelligent Lighting System



The SiteWorx™ Keypad (SWN-KPD-ST) is a wireless, intelligent user configurable keypad that allows for local lighting management. The SiteWorx Keypad provides familiar push button control with direct communication to the SiteWorx IIoT platform.

- Line powered for easy installation into any existing one gang cut out.
- Wireless communication for plug-and-play installation.
- Vacancy, Bi-Level Dimming, Manual On/Off, Automatic Full Off, and Scene controls.

DATE: \_\_\_\_\_

TYPE: \_\_\_\_\_

FIRM: \_\_\_\_\_

PROJECT: \_\_\_\_\_

### Maximize Energy Savings



With SiteWorx™ Tune, customize and apply industry-leading lighting control strategies — including daylight harvesting, progressive dimming, and off-hour setback — to achieve up to 90% energy savings.

Accessible via web and mobile applications, intuitive software provides easy management of lighting system settings and comprehensive reporting tools to maximize energy savings, safety, and visual comfort.

### Instrument for the IIoT

With Digital Lumens intelligent LED fixtures and Digital Light Agent (DLA) lighting controls, your facility is immediately instrumented with SiteWorx, an easily expandable Industrial IoT (IIoT) solution that enables rapid deployment of additional sensor-based applications that extend beyond lighting to deliver even greater operational insight and create new value streams.



SiteWorx™ Sense – Facility Monitoring



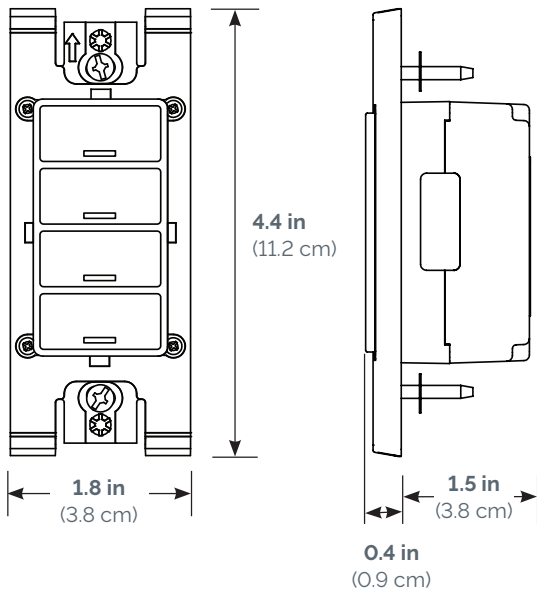
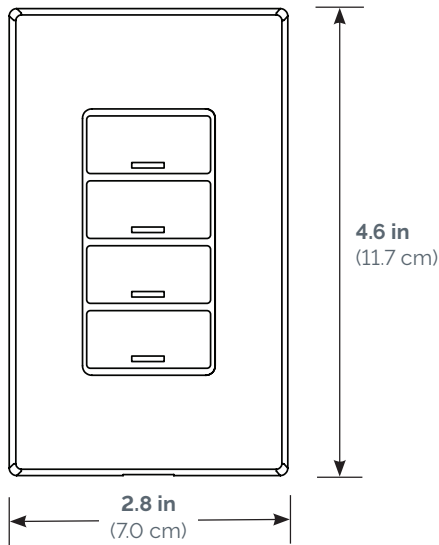
SiteWorx™ Area – Space Optimization

### Quality & Reliability

Digital Lumens intelligent LED fixtures are designed and manufactured to satisfy the high standards of customers worldwide and deliver reliable performance, long fixture life, and our patented intelligence across an array of challenging environments.

An OSRAM business, Digital Lumens solutions are supported by a global network of partners and product specialists.

## SWN-KPD DIMENSIONS



### SENSING AND CONTROL

<b>Onboard Intelligence</b>	(4x) user-configurable push buttons
<b>Wireless Networking</b>	<ul style="list-style-type: none"> <li>◦ IEEE 802.15.4 compatible</li> <li>◦ 2.4 GHz band</li> </ul>

### ENVIRONMENTAL

<b>IP Rating</b>	IP30
<b>Operating Temperature</b>	32° to 122°F (0° to 50°C)
<b>Operating Humidity</b>	0-95%, non-condensing, for indoor use only

### ELECTRICAL

<b>Input Voltage</b>	120-277 VAC, 50/60 Hz 40mA
<b>Connections</b>	16 AWG (power connections)
<b>Standby Power</b>	<0.5W

### PHYSICAL

<b>Dimensions</b>	<p><i>Without Wall Plate:</i> 1.8 in (4.5 cm) x 4.4 in (11.2 cm) x 1.9 in (4.7 cm)</p> <p><i>With Wall Plate:</i> 2.8 in (7.0 cm) x 4.6 in (11.7 cm) x 1.9 in (4.7 cm)</p>
<b>Weight</b>	3.15 oz (90 g)

### WARRANTY

<b>Warranty</b>	5-year limited warranty
-----------------	-------------------------

### CERTIFICATION

<b>Certifications</b>	cUL, NOM, Listed Energy Mngt. Equipment, UL 916, E148771, CSA 22.2 No.205, FCC Part 15 Class B
<b>Energy Code Compliance</b>	Title 24, ASRAE 90.1-2016, IECC, DLC Advanced Lighting Controls

### ORDERING

<b>Part Number</b>	SWN-KPD-ST (North America)
--------------------	----------------------------



**digitallumens.com**  
374 Congress Street, Suite 600  
Boston, MA USA 02210  
+1 (617) 723-1200