

INSTALLATION INSTRUCTIONS: Illustrations

STANDARD STEPS

1 DLA-VS – 0-10V compatible

ITEM (Modelo): DLA-VS-00
SN: 000745650
DC: 1925
LENS: W



000745650-DLA-VS-00-W

LBL-000302-00-A

2 DLA-VS – DALI compatible

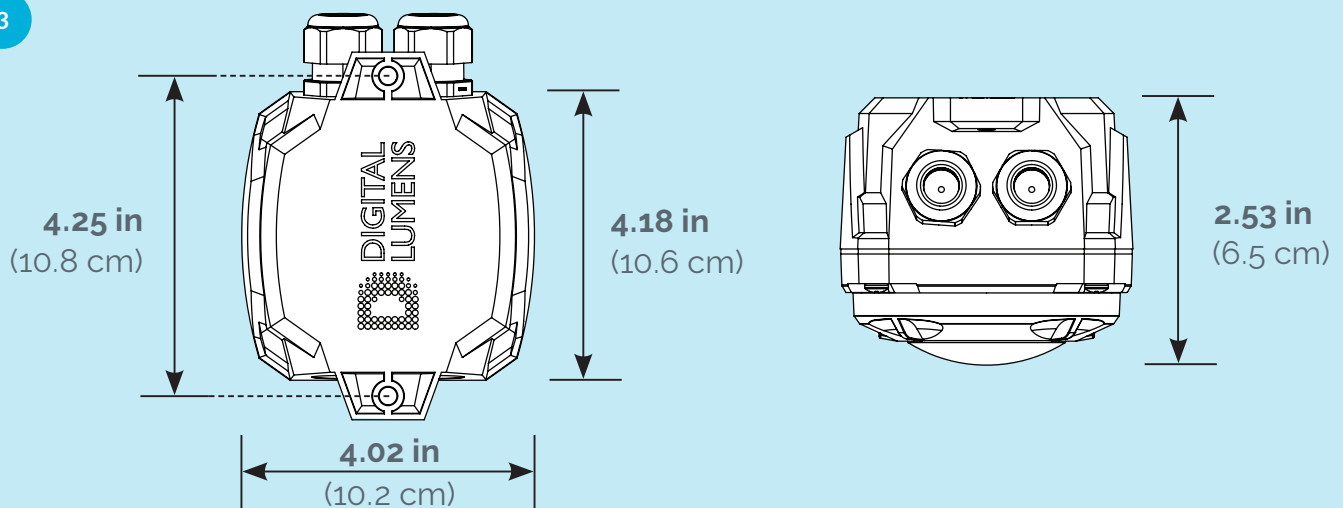
ITEM (Modelo): DLA-VS-01
SN: 020345680
DC: 1925
LENS: N



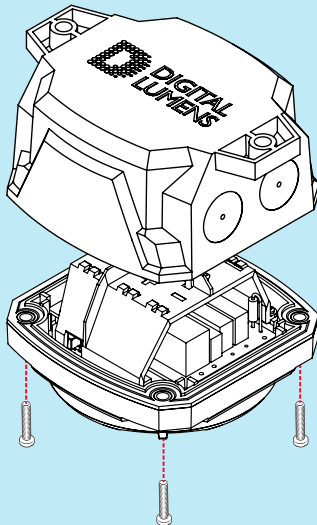
020345680-DLA-VS-00-N

LBL-000302-01-A

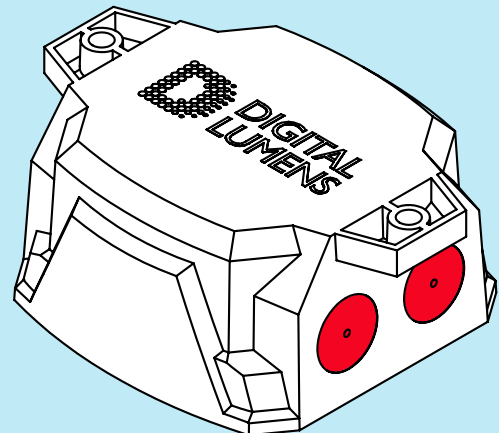
3

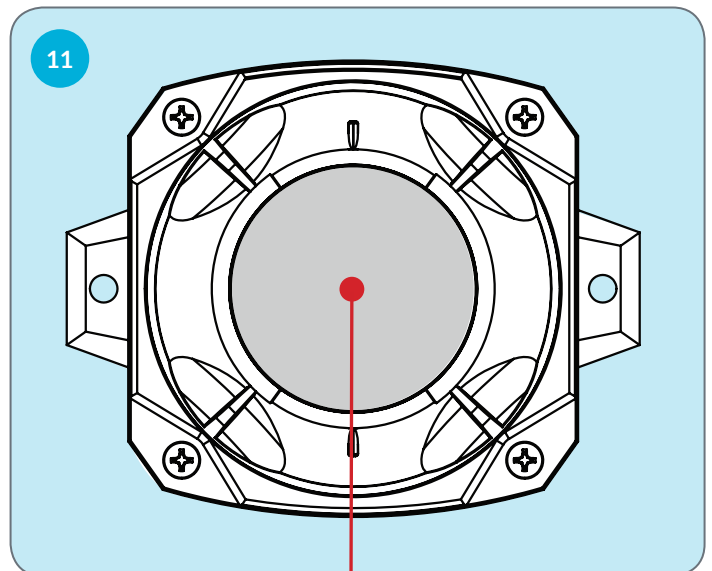
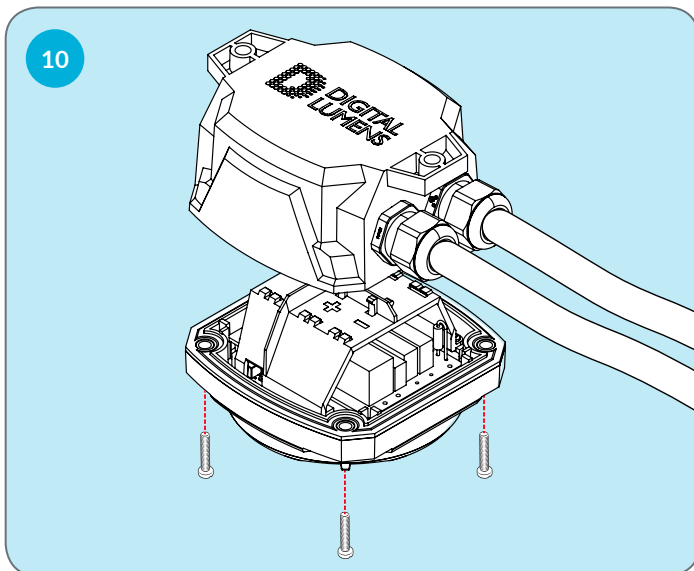
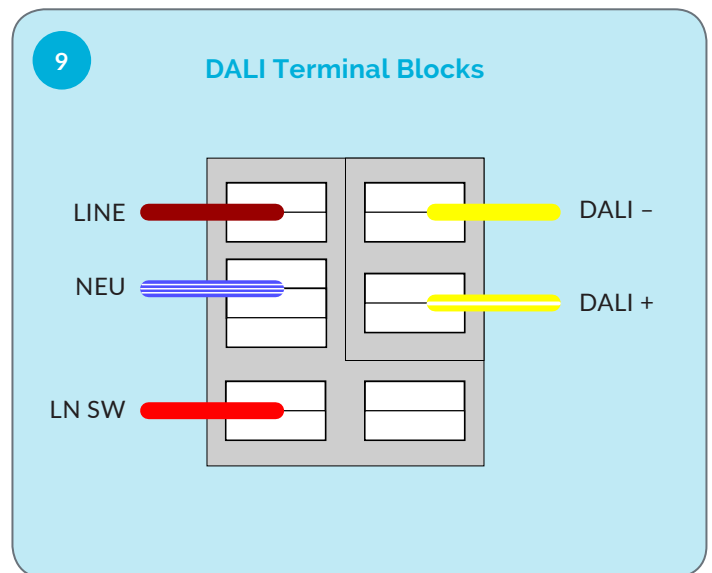
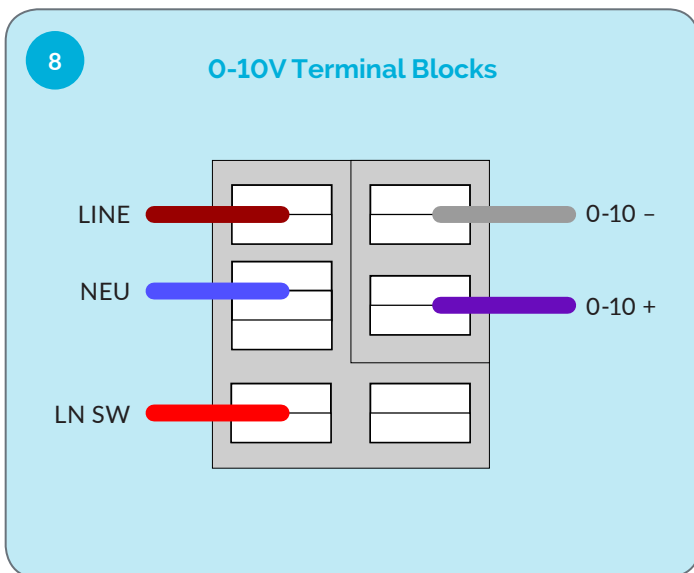
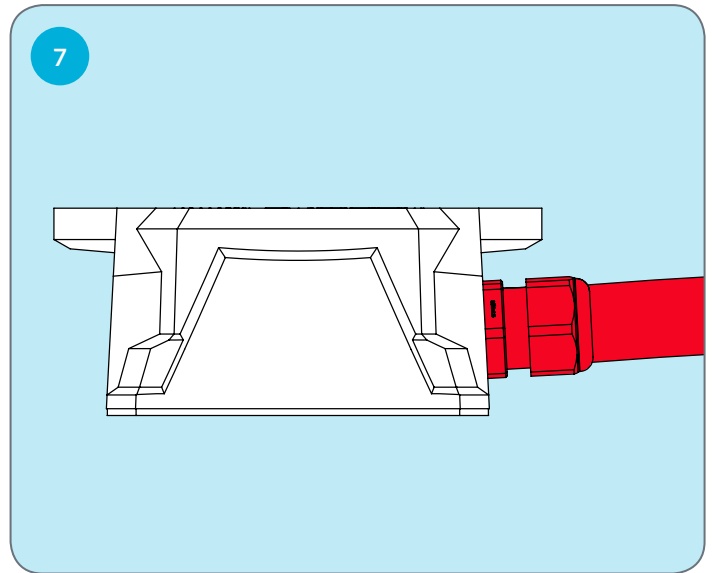
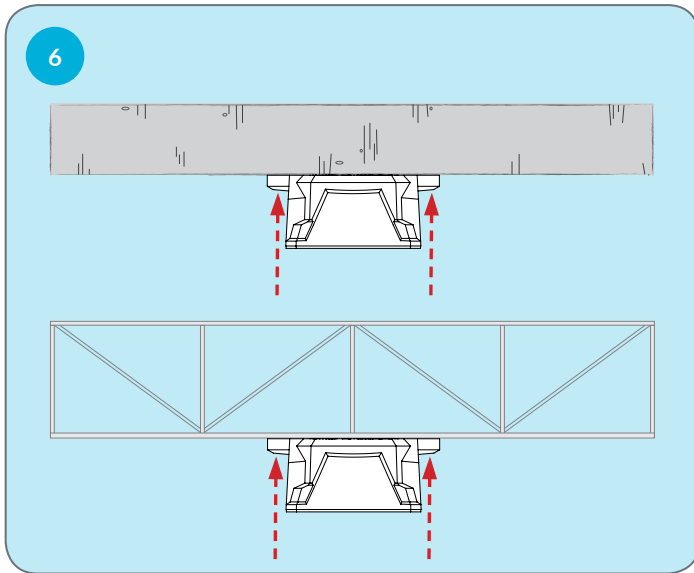


4



5








Location of LED indicator

DLA-VS





INSTALLATION INSTRUCTIONS

PRODUCT SAFETY

-  Digital Light Agent™ (DLA) hardware must be installed in accordance with the applicable installation code by a person familiar with the construction and operation of the product and the hazards involved.
-  To avoid risk of electrical shock, disconnect power before installing, wiring, or servicing DLA hardware.
-  Do not use fixture or DLA hardware if the housing, lens, or wires are damaged.



Read these instructions before using this product.

-  Do not apply paint, lubricants, or other coatings to the DLA housing.
-  Use a dry cloth to clean the DLA housing or sensor optic.
-  Wire connections shall be rated suitable for the wire size (lead and building wiring) employed.
-  Control must be mounted with lens installed and facing downwards to maintain Type 3 rating.

GETTING STARTED

Helpful Hints

- Ensure the lens has a clear field of view when installed.
- Do not mount the DLA within 5 ft (1.5 m) of an air vent.
- Control wires – 0-10V (gray, purple) or DALI (yellow, yellow stripe) – are Class 2/SELV circuits.

Product Specifications

Communication

MODEL	TERMINAL	RATING
DLA-VS-00 0-10V	DIM+, DIM- Purple, Gray	0-10V Class 2, SELV Limited Energy (<15W) circuits. Note: When connected in same cable or routed in same conduit, all leads need to be wired as Class 1 circuits.
DLA-VS-01 DALI	DIM+, DIM- Yellow, Yellow Stripe	DALI Class 2, SELV Limited Energy (<15W) circuits. Note: When connected in same cable or routed in same conduit, all leads need to be wired as Class 1 circuits.

Line Inputs

MODEL	TERMINAL	RATING
DLA-VS-00 0-10V	AC Line, AC Neutral	120-277VAC, 50/60 Hz, 3.5A
DLA-VS-01 DALI	AC Line, AC Neutral	120-480VAC, 50/60 Hz, 3.5A

Line Outputs

MODEL	TERMINAL	RATING
DLA-VS-00 0-10V	Switched, Metered Line	120VAC, 3.5A, electronic ballast 277VAC, 1.5A, electronic ballast 347VAC, 1.5A, electronic ballast 480VAC, 0.67A, electronic ballast
DLA-VS-01 DALI	Metered Line	Up to 3.5A load

Standard Installation Method for DLA-VS

- 1 Check the product label to verify that the DLA-VS unit is compatible with your control protocol, either 0-10V or DALI (*Illustrations 1,2*).
- 2 Review the dimensional drawings for the DLA-VS (*Illustration 3*).
- 3 Remove the (4x) fasteners from the electronics module and detach the electronics module from the DLA-VS housing (*Illustration 4*).
- 4 Drill (1x) input and (1x) output holes in the DLA-VS housing using a ½-inch trade-size drill bit (*Illustration 5*).
- 5 Mount the DLA-VS housing to a flat surface or Unistrut® using suitable fasteners (*Illustration 6*).
- 6 Install conduit or cable using the included cable gland. Ensure that wiring meets national, state, and local electrical code requirements (*Illustration 7*).
- 7 Make power & dimming connections to the WAGO® terminal blocks (*Illustrations 8,9*).
- 8 Replace the electronics module and re-install the (4x) fasteners (*Illustration 10*).
- 9 Apply AC Power to the DLA-VS. Use the LED indicator to verify that the unit is powered and connected to the network (*Illustration 11*):
 - The red indicator displays a double blink pattern.
 - The blue indicator displays a slow, single-blink pattern.

Important note

Until programmed using Commissioner software from Digital Lumens, the fixture connected to the DLA-VS will remain ON at 100% with occupancy sensing disabled. (Active Level: 100%. Inactive Level: 100%. Occupancy Sensor Delay: Sensor Inactive)



digitallumens.com
374 Congress Street, Suite 600
Boston, MA USA 02210
+1 (617) 723-1200

All Rights Reserved © 2010-2019
Digital Lumens Incorporated
Subject to change without notice.
DOC-001515-00 Rev A 06-19