

DLA-VS

Dimmable Digital Light Agent™



The DLA-VS brings wireless sensing and control to any 0-10V or DALI dimmable fixture. Designed to be mounted to any flush surface, the DLA-VS is deployed with our SiteWorx™ Tune intelligent lighting control application to deliver advanced controls, powerful reporting, instant alerts, and actionable intelligence.

- Maximum energy savings via integrated sensing, control, and software optimization
- Performance validation with energy metering
- A real-time stream of actionable facility usage and environmental data

DATE: _____

TYPE: _____

FIRM: _____

PROJECT: _____

Maximize Energy Savings



With **SiteWorx Tune**, customize and apply industry-leading lighting control strategies — including daylight harvesting, progressive dimming, and off-hour setback — to achieve up to 90% energy savings.

Accessible via web and mobile applications, intuitive software provides easy management of lighting system settings and comprehensive reporting tools to maximize energy savings, safety, and visual comfort.

Instrument for the IIoT

With Digital Lumens intelligent LED fixtures and Digital Light Agent (DLA) lighting controls, your facility is immediately instrumented with SiteWorx, an easily expandable Industrial IoT (IIoT) solution that enables rapid deployment of additional sensor-based applications that extend beyond lighting to deliver even greater operational insight and create new value streams.



SiteWorx™ Sense – Facility Monitoring



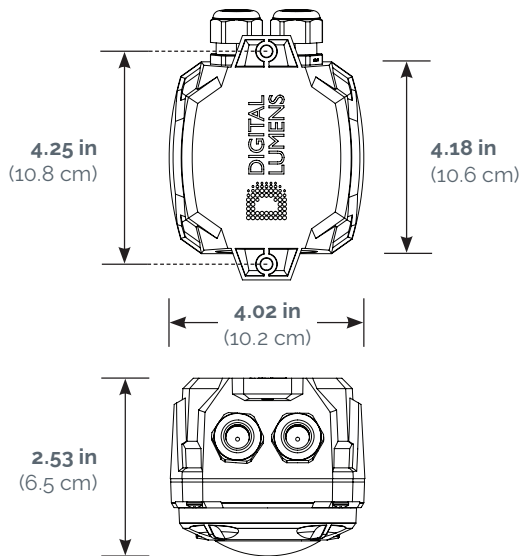
SiteWorx™ Area – Space Optimization

Quality & Reliability

Digital Lumens intelligent LED fixtures are designed and manufactured to satisfy the high standards of customers worldwide and deliver reliable performance, long fixture life, and our patented intelligence across an array of challenging environments.

An OSRAM business, Digital Lumens solutions are supported by a global network of partners and product specialists.

DLA-VS DIMENSIONS



ELECTRICAL	DALI	0-10V
Input Voltage	120-277 VAC	120-480 VAC
Load/Relay Rating	N/A	<ul style="list-style-type: none"> 3.5A @ 120 VAC 1.5A @ 277 VAC 1.2A @ 347 VAC 0.8A @ 480 VAC
Power Consumption	.5W	<ul style="list-style-type: none"> .5W Standby 1W Active
Power Wires	Brown: Hot Blue: Neutral Red: Metered Line	Brown: Hot Blue: Neutral Red: Metered/ Switched Line
Control Wires	Yellow Stripe: DALI+ Yellow: DALI-	Purple: 0-10V+ Gray: 0-10V-
Surge Rating	<ul style="list-style-type: none"> 1KV L-N 2KV Common 	<ul style="list-style-type: none"> 1KV L-N 2KV Common
DALI Control Bus Power	60mA @ 14VDC typ	N/A

 digitallumens.com
374 Congress Street, Suite 600
Boston, MA USA 02210
+1 (617) 723-1200

SENSING AND CONTROL

Onboard Intelligence	<ul style="list-style-type: none"> Distributed sensing and control Facility usage data-logging
Sensor Capabilities	<ul style="list-style-type: none"> Occupancy sensing (PIR) Digital ambient light sensing Integrated power monitoring
Dimming Interface	<ul style="list-style-type: none"> Dim range based on driver 0-10V dimming (sinking only) or DALI compatible (powered)
DALI Device Limit	(3x) DALI drivers
0-10V Device Limit	Refer to load rating
Wireless Networking	<ul style="list-style-type: none"> IEEE 802.15.4 compatible 2.4 GHz band

ENVIRONMENTAL

IP Rating	IP66, UL Wet Location, NSF/ANSI Standard 2 – Food Equipment
Operating Temperature	-4° to 122°F (-20° to 50°C)
Operating Humidity	0-95%, non-condensing

PHYSICAL

Dimensions	3.83 in (9.7 cm) x 3.87 in (9.8 cm) x 3.55 in (12.4 cm) <i>without tabs</i> 4.88 in (12.4 cm) x 3.87 in (9.8 cm) x 3.55 in (12.4 cm) <i>with tabs</i>
Weight	10.2 oz (289 g)
Enclosure Material	Sabic-Valox™
Mounting	Surface/Flush mounted
Mounting Hole Spacing	(2x) centerline; 4.25 in (10.8 cm) apart
Mounting Hole Diameter	0.26 in (6.5 mm)

WARRANTY

Warranty	5-year limited warranty
-----------------	-------------------------

CERTIFICATION

Certifications	UL 60730-1, CSA E60730-1, UL-NOM, CE, CFR 47 FCC Part 15 Subpart B, NSF
-----------------------	---

ORDERING

DLA-VS	-00 (0-10V)	-H (High Bay)
	-01 (DALI)	