

DLGW3

Network Gateway 3



The Network Gateway 3 provides access to Digital Lumens' Industrial IoT solution, SiteWorx™, without the need for a server, while enabling actionable facility data for increased efficiency and energy savings.

- PoE (Power over Ethernet) device, eliminating the need for power service installation
- AC-DC power supply is available when PoE functionality is not desired
- Operates effectively in demanding commercial and industrial environments
- Mounts to ceiling structures, walls, and suitable vertical surfaces

DATE: _____

TYPE: _____

FIRM: _____

PROJECT: _____

Maximize Energy Savings



With **SiteWorx™ Tune**, customize and apply industry-leading lighting control strategies — including daylight harvesting, progressive dimming, and off-hour setback — to achieve up to 90% energy savings.

Accessible via web and mobile applications, intuitive software provides easy management of lighting system settings and comprehensive reporting tools to maximize energy savings, safety, and visual comfort.

Instrument for the IIoT

With Digital Lumens intelligent LED fixtures and Digital Light Agent (DLA) lighting controls, your facility is immediately instrumented with SiteWorx, an easily expandable Industrial IoT (IIoT) solution that enables rapid deployment of additional sensor-based applications that extend beyond lighting to deliver even greater operational insight and create new value streams.



SiteWorx™ Sense – Facility Monitoring



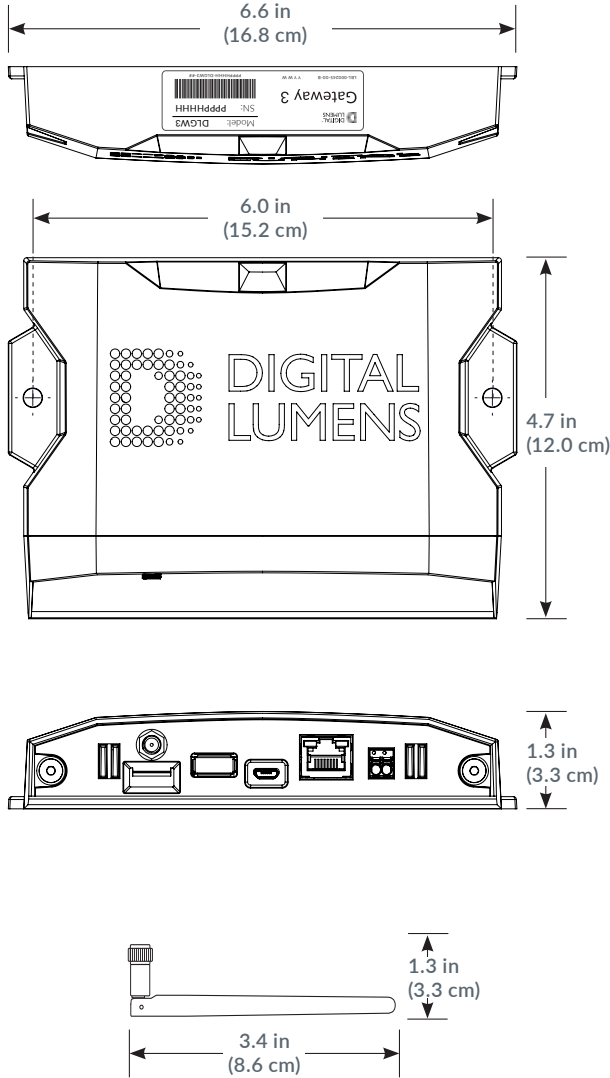
SiteWorx™ Area – Space Optimization

Quality & Reliability

Digital Lumens intelligent LED fixtures are designed and manufactured to satisfy the high standards of customers worldwide and deliver reliable performance, long fixture life, and our patented intelligence across an array of challenging environments.

An OSRAM business, Digital Lumens solutions are supported by a global network of partners and product specialists.

DLGW3 DIMENSIONS



NETWORKING AND CONTROL

Wireless Networking	IEEE 802.15.4 Compatible 2.4 GHz Band
Network Integration	10/100 internet

ENVIRONMENTAL

IP Rating	IP51 ¹
Storage Temperature	-40° to 122°F (-40° to 50°C)
Operating Temperature	-40° to 122°F (-40° to 50°C)
Operating Humidity	0% to 95%, non-condensing

ELECTRICAL

Standard Power Source	PoE (Power over Ethernet)
Electrical Protection	Integrated Surge, ESD Protector
Optional Power Source	AC-DC power supply for low-temp environments (ordered separately)
DC Power Input <i>for Optional Power Source</i>	12-48 VDC, 3 W max ²

PHYSICAL

Enclosure	PC
Radio Antenna	External swivel, RP-SMA
Connectors	<ul style="list-style-type: none"> ◦ RJ45 10/100 Ethernet (PoE/non-PoE) ◦ Push-in DC power input ◦ Micro-USB type B ◦ Host-USB type A
Status LEDs	<ul style="list-style-type: none"> ◦ Network (red/blue) ◦ Health (red/blue/green) ◦ System (red/blue) ◦ Mode (green/yellow)
Dimensions (H x W x D)	1.3 x 6.6 x 4.7 in. (3.0 x 16.8 x 12.0 cm)
Mounting Hole Spacing	6 in (15.2 cm) center to center
Mounting Hole Diameter	.24 in (6.1 mm)
Weight	9 oz (255 g)

WARRANTY

Warranty	5-Year Limited Warranty
-----------------	-------------------------

CERTIFICATION

Certification	FCC Part 15 Class A
----------------------	---------------------

ORDERING

Part Number	DLGW3
--------------------	-------



digitallumens.com
374 Congress Street, Suite 600
Boston, MA USA 02210
+1 (617) 723-1200

¹ When mounted properly, as per Installation Instructions
² UL-listed LPS power supply for UL installations