

DLA-FA

Digital Light Agent Fixture Adapter



With integrated sensing and software optimization, and performance validation with utility-grade energy metering, Digital Light Agents (DLA) produce maximum energy savings and a real-time stream of actionable facility and environmental data.

- Connection to a range of DLA modules from Digital Lumens
- Smooth digital dimming to a wide range of LED or legacy fixture types
- 0-10 VDC dimming with switched AC
- SiteWorx Tune™ compatibility

DATE: _____

TYPE: _____

FIRM: _____

PROJECT: _____

Maximize Energy Savings



With **SiteWorx Tune**, customize and apply industry-leading lighting control strategies — including daylight harvesting, progressive dimming, and off-hour setback — to achieve up to 90% energy savings.

Accessible via web and mobile applications, intuitive software provides easy management of lighting system settings and comprehensive reporting tools to maximize energy savings, safety, and visual comfort.

Instrument for the IIoT

With Digital Lumens intelligent LED fixtures and Digital Light Agent (DLA) lighting controls, your facility is immediately instrumented with SiteWorx, an easily expandable Industrial IoT (IIoT) solution that enables rapid deployment of additional sensor-based applications that extend beyond lighting to deliver even greater operational insight and create new value streams.



SiteWorx™ Sense – Facility Monitoring



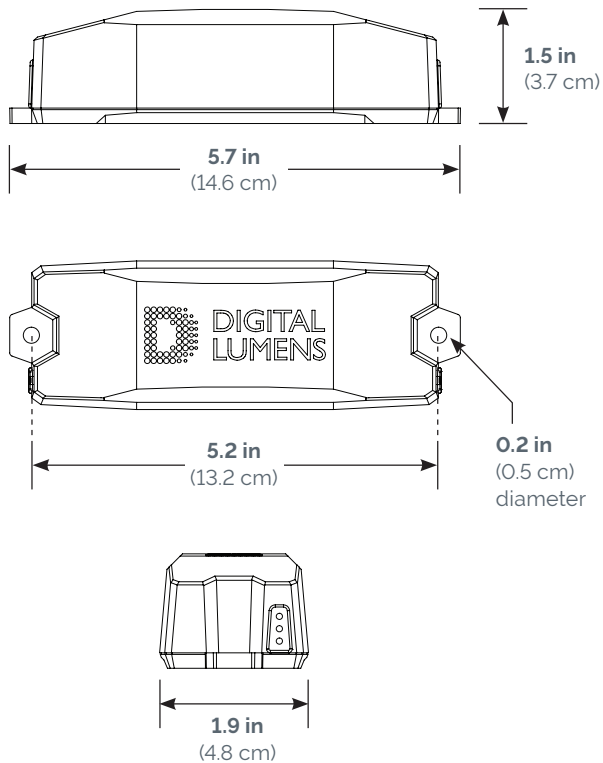
SiteWorx™ Area – Space Optimization

Quality & Reliability

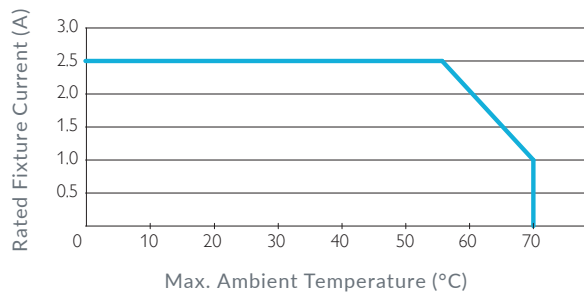
Digital Lumens intelligent LED fixtures are designed and manufactured to satisfy the high standards of customers worldwide and deliver reliable performance, long fixture life, and our patented intelligence across an array of challenging environments.

An OSRAM business, Digital Lumens solutions are supported by a global network of partners and product specialists.

DLA-FA DIMENSIONS



DLA-FA TEMPERATURE VS. CURRENT

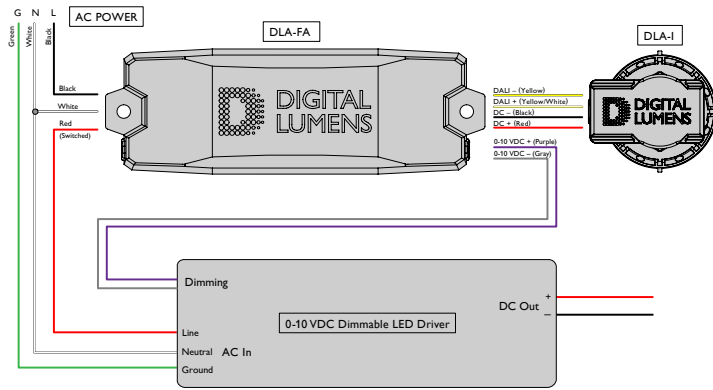


ENVIRONMENTAL		
IP Rating	IP40	
Operating Temperature	-22° to 158°F (-30° to 70°C)	
Operating Humidity	0% to 95%, non-condensing	
ELECTRICAL		
Input Voltage	100-277 VAC, 50/60 Hz	
Power Consumption	0.5 W	
Maximum Fixture Current (switched AC)	2.5 A de-rated based on operating temperature (refer to table in the left column)	
Surge Rating	Per IEC 60730 1 kv line-line, 2 kv line-earth	
PHYSICAL		
Dimensions (H x W x D)	1.5 x 1.9 x 5.7 in (3.7 x 4.8 x 14.6 cm)	
Weight	4.25 oz (120 g)	
Enclosure	PC/ABS polymer	
Mounting Method	Housing mounted within fixture	
Mounting Hole Diameter	0.2 in (0.5 cm)	
Mounting Hole Spacing	5.2 in (14.6 cm)	
CERTIFICATION & WARRANTY		
Warranty	5-Year Limited Warranty	
Certifications	UL/cUL, UL-NOM, CE, FCC, ROHS	
WIRING		
Mains	Black	AC Line
	White	AC Neutral
	Red	AC Switched
Low Voltage ¹	Gray	0-10 VDC- dimming
	Purple	0-10 VDC+ dimming
Digital Control ¹	Yellow	DALI- signal
	Yellow/White	DALI+ signal
	Black	DC- Aux. power
	Red	DALI+ Aux. power
ORDERING INFORMATION		
Part Number	DLA-FA	

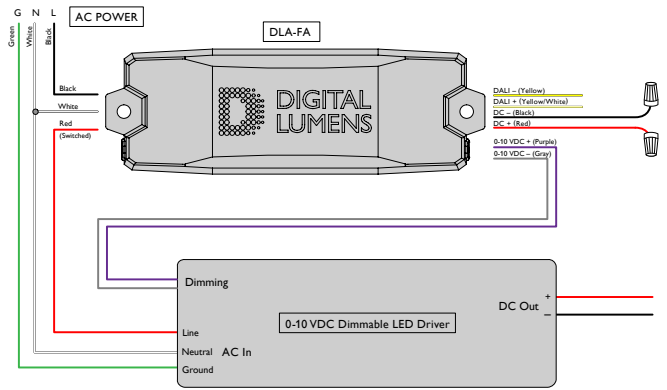
¹0-10V, DALI, and DC Aux connections are SELV.

DLA-FA WIRING

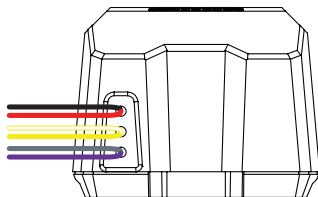
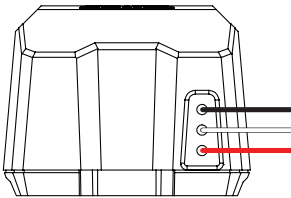
DLA Control Modules with Aux. Power Inputs



DLA Control Modules without Aux. Power Inputs



AC Power
Input Side



DALI / Low-Voltage
Input Side



digitallumens.com
374 Congress Street, Suite 600
Boston, MA USA 02210
+1 (617) 723-1200