

# DLA-S

## Surface-Mount Digital Light Agent™



Digital Light Agents (DLAs) are multi-strategy adaptive lighting controls that make any light, from any manufacturer, intelligent. The DLA-S brings wireless sensing and control, and SiteWorx™ compatibility, to any fixture or group of fixtures via a surface-mount housing.

- Maximum energy savings via integrated sensing and software optimization
- Easily mounted to a ceiling surface or suitable NEMA 4 junction box
- Performance validation with utility-grade energy metering
- A real-time stream of actionable facility usage and environmental data

DATE: \_\_\_\_\_

TYPE: \_\_\_\_\_

FIRM: \_\_\_\_\_

PROJECT: \_\_\_\_\_

### Maximize Energy Savings



With **SiteWorx™ Tune**, customize and apply industry-leading lighting control strategies — including daylight harvesting, progressive dimming, and off-hour setback — to achieve up to 90% energy savings.

Accessible via web and mobile applications, intuitive software provides easy management of lighting system settings and comprehensive reporting tools to maximize energy savings, safety, and visual comfort.

### Instrument for the IIoT

With Digital Lumens intelligent LED fixtures and Digital Light Agent (DLA) lighting controls, your facility is immediately instrumented with SiteWorx, an easily expandable Industrial IoT (IIoT) solution that enables rapid deployment of additional sensor-based applications that extend beyond lighting to deliver even greater operational insight and create new value streams.



**SiteWorx™ Sense** – Facility Monitoring



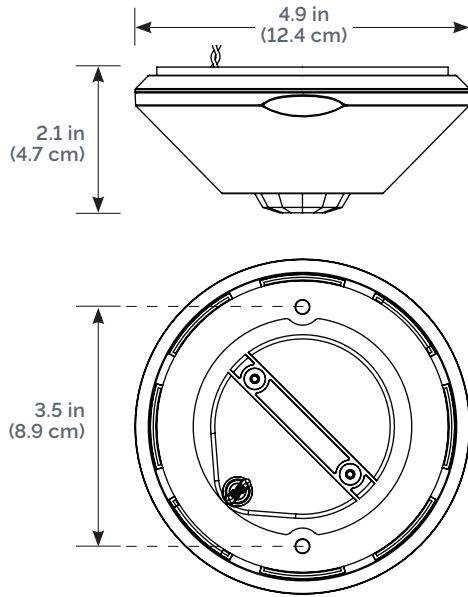
**SiteWorx™ Area** – Space Optimization

### Quality & Reliability

Digital Lumens intelligent LED fixtures are designed and manufactured to satisfy the high standards of customers worldwide and deliver reliable performance, long fixture life, and our patented intelligence across an array of challenging environments.

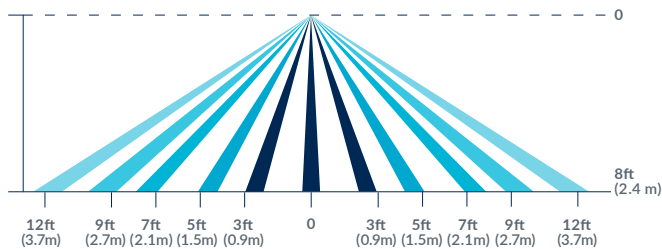
An OSRAM business, Digital Lumens solutions are supported by a global network of partners and product specialists.

## DLA-S DIMENSIONS

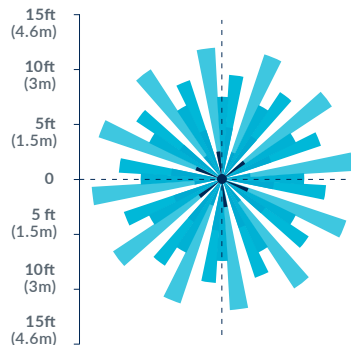


## DLA-S SENSOR COVERAGE

Side view



Top view



[digitallumens.com](http://digitallumens.com)

374 Congress Street, Suite 600

Boston, MA USA 02210

+1 (617) 723-1200

## SENSING AND CONTROL

|                             |   |
|-----------------------------|---|
| <b>Onboard Intelligence</b> | <ul style="list-style-type: none"> <li>◦ Distributed Sensing and Control</li> <li>◦ Facility usage and environmental data logging</li> </ul>                                  |
| <b>Sensor Capabilities</b>  | <ul style="list-style-type: none"> <li>◦ Integrated PIR occupancy sensor</li> <li>◦ Digital ambient light</li> <li>◦ SR driver-ready</li> </ul>                               |
| <b>Wireless Networking</b>  | IEEE 802.15.4 Compatible 2.4 GHz Band   |
| <b>Device Limit</b>         | Up to (4x) DLA-CA/FA adapters or (4x) SR-compatible drivers   |
| <b>Dimming</b>              | <ul style="list-style-type: none"> <li>◦ Dim range based on driver</li> <li>◦ 0-10 V dimming and switching (when used with DLA adapter)</li> <li>◦ DALI-compatible</li> </ul> |

## ENVIRONMENTAL

|                              |  |
|------------------------------|--|
| <b>IP Rating</b>             | IP65 (when installed to a NEMA 4 junction box) |
| <b>Operating Temperature</b> | -22° to 122°F (-30° to 50°C)                   |
| <b>Operating Humidity</b>    | 0% to 95%, non-condensing                      |

## ELECTRICAL

|                          |                                       |
|--------------------------|---------------------------------------|
| <b>Input Voltage</b>     | 12-24 VDC                             |
| <b>Power Consumption</b> | 0.5 W                                 |
| <b>Connections</b>       | DALI+ (Yellow Stripe), DALI- (Yellow) |

## PHYSICAL

|                              |                               |
|------------------------------|-------------------------------|
| <b>Dimensions (H x W)</b>    | 2.1 x 4.9 in (4.7 x 12.4 cm)  |
| <b>Weight</b>                | 5.0 oz (140 g)                |
| <b>Enclosure</b>             | PC/ABS Polymer                |
| <b>Mounting</b>              | (2x) Fasteners, backing plate |
| <b>Mounting Hole Spacing</b> | 3.5 in (8.9 cm)               |
| <b>Mounting Height</b>       | 8 to 20 ft (2.4 to 6.1 m)     |

## WARRANTY

|                 |                         |
|-----------------|-------------------------|
| <b>Warranty</b> | 5-Year Limited Warranty |
|-----------------|-------------------------|

## CERTIFICATION

|                       |  |
|-----------------------|--|
| <b>Certifications</b> | FCC Part 15 Class B, UL, cUL, UL-NOM, CISPR 22, CE, SR certified |
|-----------------------|--|

## ORDERING

|                    |         |
|--------------------|---------|
| <b>Part Number</b> | DLA-S-D |
|--------------------|---------|