

DLA-I

Fixture-Integrated Digital Light Agent™



Digital Light Agents (DLAs) are multi-strategy adaptive lighting controls that make any light, from any manufacturer, intelligent. The DLA-I brings wireless sensing and control, and SiteWorx™ compatibility, to third-party fixtures.

- Maximum energy savings via onboard sensing and software optimization
- Designed to integrate directly into third-party fixtures, without external enclosures or connections
- Performance validation with utility-grade energy metering
- A real-time stream of actionable facility usage and environmental data

DATE: _____

TYPE: _____

FIRM: _____

PROJECT: _____

Maximize Energy Savings



With **SiteWorx™ Tune**, customize and apply industry-leading lighting control strategies — including daylight harvesting, progressive dimming, and off-hour setback — to achieve up to 90% energy savings.

Accessible via web and mobile applications, intuitive software provides easy management of lighting system settings and comprehensive reporting tools to maximize energy savings, safety, and visual comfort.

Instrument for the IIoT

With Digital Lumens intelligent LED fixtures and Digital Light Agent (DLA) lighting controls, your facility is immediately instrumented with SiteWorx, an easily expandable Industrial IoT (IIoT) solution that enables rapid deployment of additional sensor-based applications that extend beyond lighting to deliver even greater operational insight and create new value streams.



SiteWorx™ Sense – Facility Monitoring



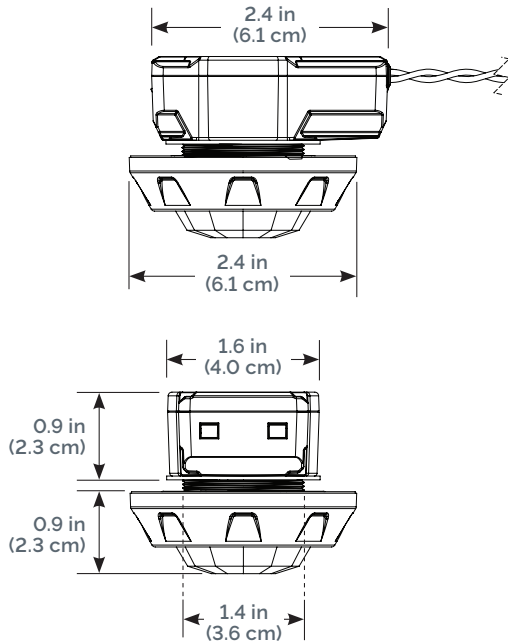
SiteWorx™ Area – Space Optimization

Quality & Reliability

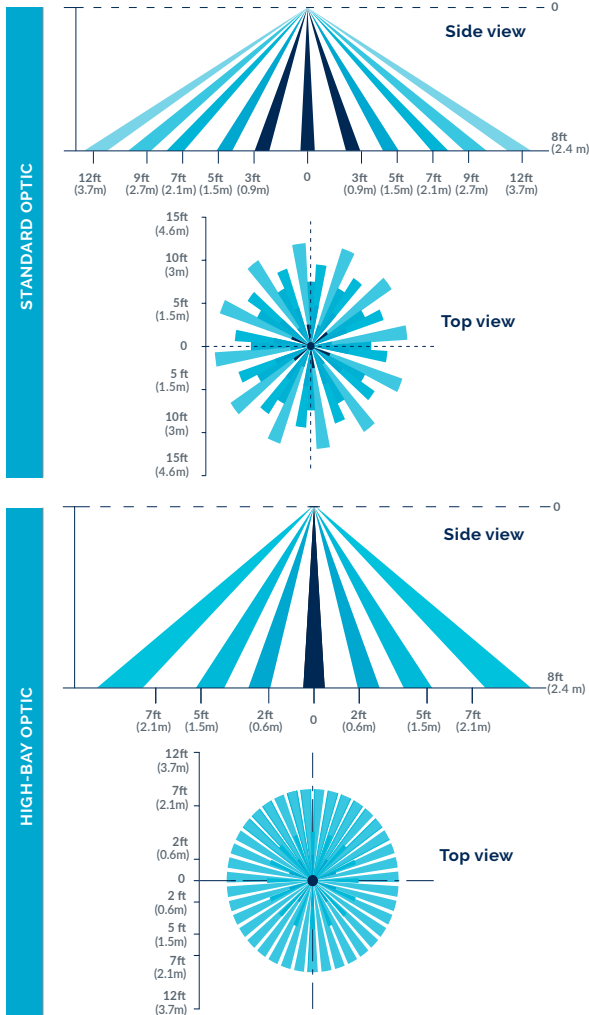
Digital Lumens intelligent LED fixtures are designed and manufactured to satisfy the high standards of customers worldwide and deliver reliable performance, long fixture life, and our patented intelligence across an array of challenging environments.

An OSRAM business, Digital Lumens solutions are supported by a global network of partners and product specialists.

DLA-I DIMENSIONS



DLA-I SENSOR COVERAGE



SENSING AND CONTROL	
Onboard Intelligence	<ul style="list-style-type: none"> ◦ Distributed Sensing and Control ◦ Facility usage and environmental data logging
Sensor Capabilities	<ul style="list-style-type: none"> ◦ Integrated PIR occupancy sensor ◦ Integrated Daylight sensor ◦ SR driver-ready
Wireless Networking	IEEE 802.15.4 Compatible 2.4 GHz Band
Device Limit	Up to (4x) DLA-CA/FA adapters or (4x) SR-compatible drivers
Dimming	<ul style="list-style-type: none"> ◦ Dim range based on driver ◦ 0-10V dimming and switching when used with DLA-FA/CA adapter ◦ DALI compatible
ENVIRONMENTAL	
IP Rating	IP65 (when installed within appropriate third-party fixture housing)
Operating Temperature	-22° to 122°F (-30° to 50°C)
Operating Humidity	0% to 95%, non-condensing
ELECTRICAL	
Input Voltage	12-24 VDC DALI bus powered (SELV)
Power Consumption	0.5 W
Connections	DALI+ (Yellow Stripe), DALI- (Yellow)
PHYSICAL	
Dimensions (H x W x D)	Housing: 0.9 x 1.6 x 2.4 in (2.3 x 4.0 x 6.1 cm) Lens: 0.9 x 2.4 x 2.4 in (2.3 x 6.1 x 6.1 cm)
Weight	5.0 oz (140 g)
Enclosure	PC/ABS Polymer
Mounting	Housing mounted within fixture enclosure; sensor lens assembly is external
Mounting Height	Standard optic: 8 to 20 ft (2.4 to 6.1 m) High-Bay optic: 12 to 32 ft (3.7 to 9.8 m)
WARRANTY	
Warranty	5-Year Limited Warranty
CERTIFICATION	
Certifications	FCC Part 15 Class B, UL, cUL, UL-NOM, CISPR 22, CE, SR certified
ORDERING	
Part Number	DLA-I-D



digitallumens.com

374 Congress Street, Suite 600
Boston, MA USA 02210
+1 (617) 723-1200