

DLA-M

Micro Digital Light Agent™



Digital Light Agents (DLAs) are multi-strategy adaptive lighting controls that make any light, from any manufacturer, intelligent. The DLA-M brings wireless sensing and control, and SiteWorx™ compatibility, to third-party fixtures, and ceiling tiles via an unobtrusive and easily mounted form factor.

- Maximum energy savings via integrated sensing and software optimization
- Performance validation with energy metering
- A real-time stream of actionable facility usage and environmental data

DATE: _____

TYPE: _____

FIRM: _____

PROJECT: _____

Maximize Energy Savings



With SiteWorx™ Tune, customize and apply industry-leading lighting control strategies — including daylight harvesting, progressive dimming, and off-hour setback — to achieve up to 90% energy savings.

Accessible via web and mobile applications, intuitive software provides easy management of lighting system settings and comprehensive reporting tools to maximize energy savings, safety, and visual comfort.

Instrument for the IIoT

With deployment of Digital Lumens intelligent LED fixtures and Digital Light Agent (DLA) lighting controls, your facility is immediately instrumented with SiteWorx, an easily expandable Industrial IoT (IIoT) solution that enables rapid deployment of additional sensor-based applications that extend beyond lighting to deliver even greater operational insight and create new value streams.



SiteWorx™ Sense – Facility Monitoring



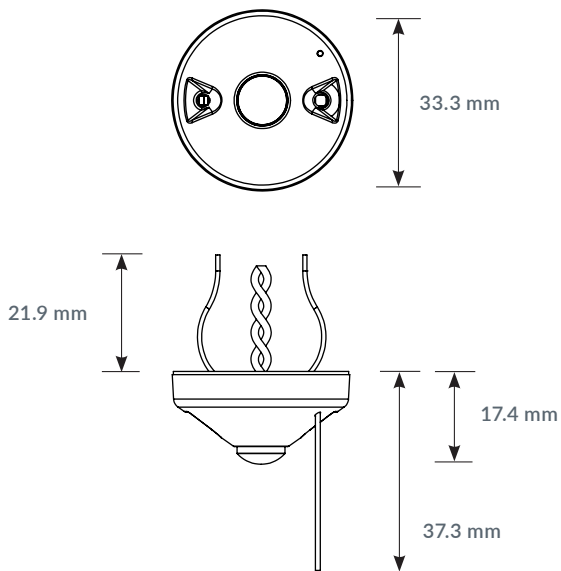
SiteWorx™ Area – Space Optimization

Quality & Reliability

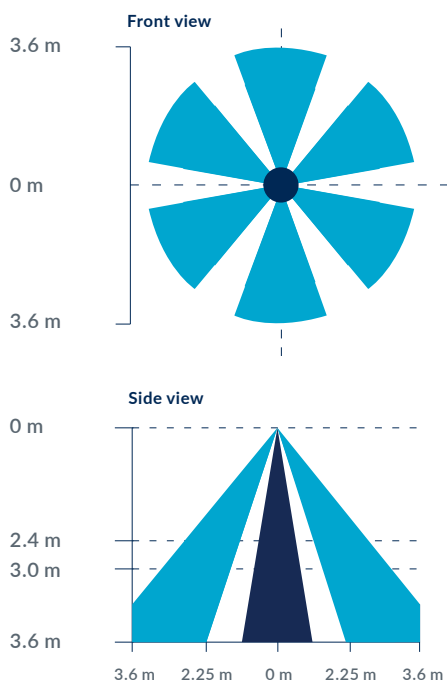
Digital Lumens intelligent LED fixtures are designed and manufactured to satisfy the high standards of customers worldwide and deliver reliable performance, long fixture life, and our patented intelligence across an array of challenging environments.

An OSRAM business, Digital Lumens solutions are supported by a global network of partners and product specialists.

DLA-M DIMENSIONS



DLA-M SENSOR COVERAGE



SENSING AND CONTROL

Onboard Intelligence	<ul style="list-style-type: none"> ◦ Distributed Sensing and Control ◦ Facility usage and environmental data logging
Sensor Capabilities	<ul style="list-style-type: none"> ◦ Integrated PIR occupancy sensor ◦ Integrated Daylight sensor ◦ SR driver-ready
Wireless Networking	IEEE 802.15.4 Compatible 2.4 GHz Band
Device Limit	Up to (4x) DLA-FA or DLA-CA adapters, or (4x) DALI drivers
Dimming	<ul style="list-style-type: none"> ◦ Dim range based on driver ◦ 0-10V dimming and switching when used with DLA-FA or DLA-CA adapter ◦ DALI compatible

ENVIRONMENTAL

IP Rating	IP50
Operating Temperature	-40° to 40°C
Operating Humidity	0% to 95%, non-condensing

ELECTRICAL

Input Voltage	12-24 VDC, DALI bus powered (SELV)
Power Consumption	0.3 W
Connections	DALI+ (Yellow Stripe), DALI- (Yellow)

PHYSICAL

Dimensions (H x D)	17.4 x 33.3 mm
Weight	14 g
Enclosure	PC/ABS Polymer
Mounting	Snap-In surface-mount to 13 mm trade size knockout (2.5 mm max. panel thickness), or adhesive backing
Mounting Height	3.6 m

WARRANTY

Warranty	5-Year Limited Warranty
-----------------	-------------------------

CERTIFICATION

Certifications	<ul style="list-style-type: none"> ◦ UL60730, Listed UL, cUL, CE, FCC Part 15 Class B, CISPR 22, UL-NOM (Pending)
-----------------------	--

ORDERING

Part Number	DLA-M-D
--------------------	---------



digitallumens.com
374 Congress Street, Suite 600
Boston, MA USA 02210
+1 (617) 723-1200