

SWN-WIO

Wireless Input/Output Module



The SWN-WIO is a DIN rail-mounted, wireless, multi-function I/O module that provides the ability to integrate a wide range of industrial sensors and collects actionable facility, process, and production data with SiteWorx™ Sense.

- Monitor facilities, optimize processes, or better understand line-level cost allocation through a real-time stream of actionable data
- Dramatically reduce reporting time by automating auditable, secure, and unalterable record storage and reporting
- Log and archive more detailed, more accurate data through customizable collection rates

DATE: _____

TYPE: _____

FIRM: _____

PROJECT: _____

Facility-Wide Insight



SiteWorx Sense and SiteWorx-enabled smart sensors empower facility managers to automate and centralize critical environmental and process data, gain insight into previously invisible areas, apply data trends to minimize loss and leakage and identify predictive maintenance opportunities, and implement activity-based costing.

Intuitive facility management software provides immediate access to customizable alerts, advanced controls, and comprehensive, cloud-based reporting accessible via web and mobile applications.

Instrument for the IIoT

With deployment of Digital Lumens intelligent LED fixtures and Digital Light Agent (DLA) lighting controls, your facility is immediately instrumented with SiteWorx, an easily expandable Industrial IoT (IIoT) solution that enables rapid deployment of additional sensor-based applications that extend beyond lighting to deliver even greater operational insight and create new value streams.



SiteWorx™ Tune – Intelligent Lighting Control



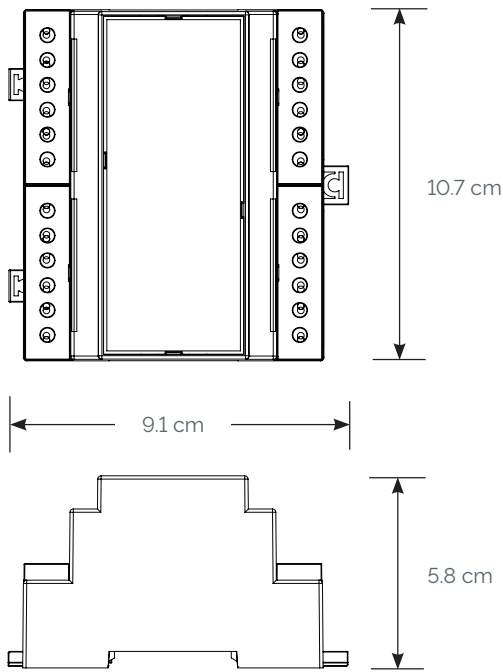
SiteWorx™ Area – Space Optimization

Quality & Reliability

Digital Lumens intelligent LED fixtures are designed and manufactured to satisfy the high standards of customers worldwide and deliver reliable performance, long fixture life, and our patented intelligence across an array of challenging environments.

An OSRAM business, Digital Lumens solutions are supported by a global network of partners and product specialists.

SWN-WIO DIMENSIONS



SENSING AND CONTROL	
Analog Inputs	(2x) 4-20mA/0-10 VDC
Relay Output	Switch relay up to 60V, 0.5A
Serial Port	Electrically isolated RS-485
ESD Protection	Per IEC60730
Wireless Networking	<ul style="list-style-type: none"> IEEE 802.15.4 compliant 2.4 GHz Band
PERFORMANCE	
Analog Measurement Accuracy	<ul style="list-style-type: none"> Voltage mode $\pm 2\%$ Current mode $\pm 2\%$
Sampling Resolution	12-bit
Sampling Rate	1 sample/min. default
Sample Interval	1 to 5 min. (5 min. default)
Analog Input Voltage (in voltage mode)	0-24 VDC (1.5V in 4-20mA mode)
ENVIRONMENTAL	
IP Rating	IP20
Operating Temperature	-20° to 50°C
Operating Humidity	0-95%, non-condensing
ELECTRICAL	
Input Voltage	120-277 VAC or 24 VDC (Class 2)
Input Power Consumption	0.5W quiescent, 4W max.
Auxiliary Output	24 VDC, 2.75W max.
AC Surge Protection	Per IEC60730
PHYSICAL	
Enclosure	PC plastic
Dimensions	10.7 cm x 9.1 cm x 5.8 cm
Mounting	DIN rail – 35 mm
Weight	224 g
WARRANTY	
Warranty	5-year limited warranty
CERTIFICATION	
Certifications	UL, UL-NOM (pending), CE, FCC Part 15 Class B
ORDERING	
Part Number	SWN-WIO-GP



digitallumens.com
374 Congress Street, Suite 600
Boston, MA USA 02210
+1 (617) 723-1200