

DLA-V/VN

Dimmable Digital Light Agent



The DLA-V/VN brings wireless sensing and control to any 0-10v dimmable fixture. Designed to be integrated directly into third-party fixtures, junction boxes, or pole mounts, the DLA-V/VN makes any 0-10v dimmable fixture intelligent. It is designed to be deployed with our SiteWorx™ Tune application to deliver powerful reporting, alerts, and actionable intelligence.

- Maximum energy savings via integrated sensing and software optimization
- Performance validation with energy metering
- A real-time stream of actionable facility usage and environmental data

DATE: _____

TYPE: _____

FIRM: _____

PROJECT: _____

Maximize Energy Savings



With **SiteWorx Tune**, customize and apply industry-leading lighting control strategies — including daylight harvesting, progressive dimming, and off-hour setback — to achieve up to 90% energy savings.

Accessible via web and mobile applications, intuitive software provides easy management of lighting system settings and comprehensive reporting tools to maximize energy savings, safety, and visual comfort.

Instrument for the IIoT

With deployment of Digital Lumens intelligent LED fixtures and Digital Light Agent (DLA) lighting controls, your facility is immediately instrumented with SiteWorx, an easily expandable Industrial IoT (IIoT) solution that enables rapid deployment of additional sensor-based applications that extend beyond lighting to deliver even greater operational insight and create new value streams.



SiteWorx™ Sense – Facility Monitoring



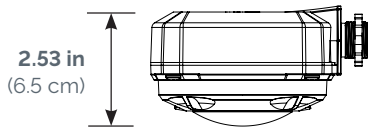
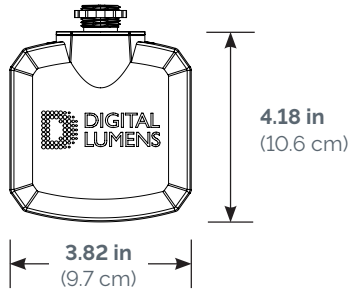
SiteWorx™ Area – Space Optimization

Quality & Reliability

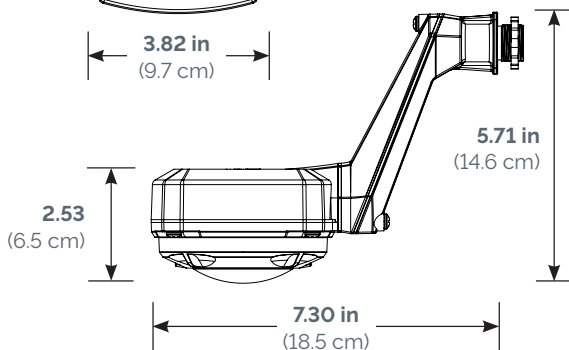
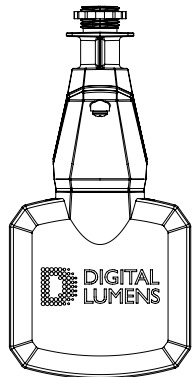
Digital Lumens intelligent LED fixtures are designed and manufactured to satisfy the high standards of customers worldwide and deliver reliable performance, long fixture life, and our patented intelligence across an array of challenging environments.

An OSRAM business, Digital Lumens solutions are supported by a global network of partners and product specialists.

DLA-V DIMENSIONS



DLA-VN DIMENSIONS



digitallumens.com

374 Congress Street, Suite 600
Boston, MA USA 02210

+1 (617) 723-1200

SENSING AND CONTROL

Onboard Intelligence	<ul style="list-style-type: none"> ◦ Distributed Sensing and Control ◦ Facility usage and data-logging
Sensor Capabilities	<ul style="list-style-type: none"> ◦ Occupancy Sensing (PIR) ◦ Digital Ambient Light ◦ Integrated Power Metering
Dimming Levels	<ul style="list-style-type: none"> ◦ Dim range based on driver ◦ 0-10V dimming
Recommended Device Limit	(3x) 0-10V drivers, refer to Relay Rating
Wireless Networking	<ul style="list-style-type: none"> ◦ IEEE 802.15.4 Compatible ◦ 2.4 GHz Band

ENVIRONMENTAL

IP Rating	IP66, UL Wet Location, NSF/ANSI Standard 2: Food Equipment
Operating Temperature	-40° to 122°F (-40° to 50°C)
Operating Humidity	0% to 95%, non-condensing

ELECTRICAL

Input Voltage	120-480 VAC								
Relay Rating	3.5 A @ 120 VAC, 1.5A @ 277 VAC, 1.2 A @ 347 VAC, 0.8A @ 480 VAC								
Power Consumption	1 W Active & 0.5W Standby								
Wiring Connections	<table border="0"> <tr> <td style="text-align: center;"><i>Power</i></td> <td style="text-align: center;"><i>Dimming</i></td> </tr> <tr> <td>Black: Hot</td> <td>Gray/Purple:</td> </tr> <tr> <td>White: Neutral</td> <td>0-10V, 50mA</td> </tr> <tr> <td>Red: Switched Line</td> <td>sinking only</td> </tr> </table>	<i>Power</i>	<i>Dimming</i>	Black: Hot	Gray/Purple:	White: Neutral	0-10V, 50mA	Red: Switched Line	sinking only
<i>Power</i>	<i>Dimming</i>								
Black: Hot	Gray/Purple:								
White: Neutral	0-10V, 50mA								
Red: Switched Line	sinking only								
Surge Rating	4kV L-N per IEC 60730								

PHYSICAL

	DLA-V	DLA-VN
Dimensions (H x W x D)	2.53 in x 3.82 in x 4.18 in (6.5 cm x 9.7 cm x 10.6 cm)	5.71 in x 3.82 in x 7.30 in (14.6 cm x 9.7 cm x 18.5 cm)
Weight	10.2 oz (289g)	13.0 oz (369g)
Enclosure	Sabic-Valox	
Mounting Method	½-in trade size conduit knockout	
Mounting Height	Up to 35 ft (10.6 m)	

CERTIFICATION & WARRANTY

Warranty	5-Year Limited Warranty
Certifications	NSF Splash Zone, UL60730, cUL, UL-NOM (Pending), CE (Pending), NSF/ANSI Standard 2 – Food Equipment, FCC Part 15 Class B

ORDERING INFORMATION

DLA-V or DLA-VN	-00 (0-10V)	-H (High Bay)
------------------------	-----------------------	-------------------------