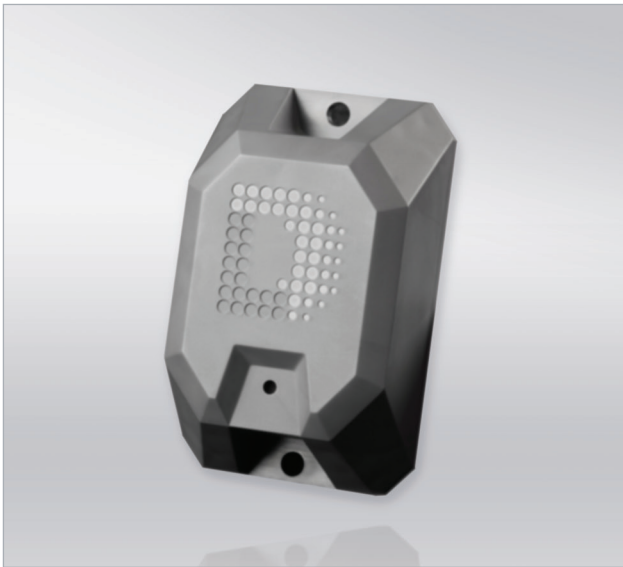


SWN-TRH

Wireless Temperature and Humidity Sensor



The SWN-TRH is a wireless, battery-powered environmental monitoring sensor that collects temperature and relative humidity data. It is designed to be deployed with our SiteWorx™ Sense application to deliver powerful reporting, alerts, and actionable intelligence.

- Monitor facilities and optimize processes through a real-time stream of actionable environmental data monitoring and alerts
- Dramatically reduce reporting time by automating auditable, secure, and unalterable record storage and reporting
- Adjustable collection rates for better data granularity

DATE: _____
 TYPE: _____
 FIRM: _____
 PROJECT: _____

Facility-Wide Insight



SiteWorx Sense and SiteWorx-enabled smart sensors empower facility managers to automate and centralize critical environmental and process data, gain insight into previously invisible areas, apply data trends to minimize loss and leakage and identify predictive maintenance opportunities, and implement activity-based costing.

Intuitive facility management software provides immediate access to customizable alerts, advanced controls, and comprehensive, cloud-based reporting accessible via web and mobile applications.

Instrument for the IIoT

With deployment of Digital Lumens intelligent LED fixtures and Digital Light Agent (DLA) lighting controls, your facility is immediately instrumented with SiteWorx, an easily expandable Industrial IoT (IIoT) solution that enables rapid deployment of additional sensor-based applications that extend beyond lighting to deliver even greater operational insight and create new value streams.



SiteWorx™ Tune – Intelligent Lighting Control



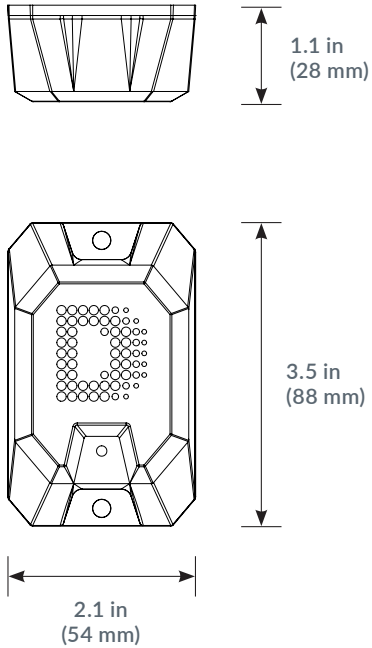
SiteWorx™ Area – Space Optimization

Quality & Reliability

Digital Lumens intelligent LED fixtures are designed and manufactured to satisfy the high standards of customers worldwide and deliver reliable performance, long fixture life, and our patented intelligence across an array of challenging environments.

An OSRAM business, Digital Lumens solutions are supported by a global network of partners and product specialists.

SWN-TRH DIMENSIONS



SENSING AND CONTROL

Onboard Intelligence	<ul style="list-style-type: none"> ◦ Temperature and Relative Humidity measurements ◦ Data logging ◦ Alerting via SiteWorx Sense
Wireless Networking	<ul style="list-style-type: none"> ◦ IEEE 802.15.4 Compatible ◦ 2.4 GHz Band

PERFORMANCE

Humidity Range	0-100%
Humidity Accuracy	±3.0%
Temperature Range	-40° to 140°F (-40° to 60°C)
Temperature Accuracy	± 1.8° F (0.5°C)
Sample Interval	1 to 5 min. (5 min. default)

ENVIRONMENTAL

IP Rating	IP65
Operating Temperature	-40° to 140°F (-40° to 60°C)
Operating Humidity	0% to 100%

ELECTRICAL

Battery Type	(2x) LI-CR123A
Battery Life	5 Years ¹

PHYSICAL

Dimensions (H x W x D)	3.5 x 2.1 x 1.1 in. (88 x 54 x 28 mm)
Weight	7.8 oz (222 g)
Enclosure	PC/PBT Plastic
Mounting Hole Spacing	(2x) centerline; 3.06 in (7.8 cm) apart
Mounting Hole Diameter	0.21 in (5.3 mm)

WARRANTY

Warranty	5-Year Limited Warranty
-----------------	-------------------------

Certifications	FCC Part 15 Class B, CE, NSF Splash Zone
-----------------------	--

ORDERING

Part Number	SWN-TRH-GP
--------------------	------------

¹ Lifetimes varies, based on operating temp and temp/RH sample interval



digitallumens.com
 374 Congress Street, Suite 600
 Boston, MA USA 02210
 +1 (617) 723-1200