

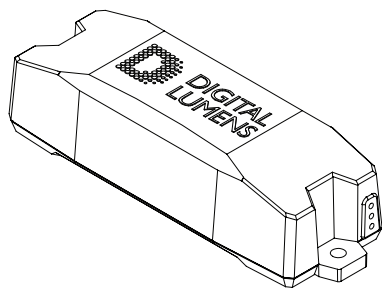
DLA-FA

Digital Light Agent™ Fixture Adapter

ADD INTELLIGENCE TO ANY FIXTURE

Digital Light Agents™ are multi-strategy adaptive lighting controls that make any light from any manufacturer intelligent. The DLA family delivers:

- Maximum energy savings via integrated sensing and software optimization
- Performance validation with utility-grade energy metering
- A real-time stream of actionable facility usage and environmental data



DLA-FA

When granular control and monitoring of individual fixtures is desired, the DLA-FA provides full-range dimming and switched AC to accommodate both LED luminaires as well as legacy-type fixtures.

FEATURES

Full Range Dimming Control

- Add smooth digital dimming to a wide range of LED or legacy fixture types
- 0-10 VDC with switched AC

Integrated Power Metering

- Turn lights into a managed energy resource via fixture-by-fixture power metering
- Real-time measurement of energy savings

Flexible and Scalable

- Connect to a range of DLA control modules from Digital Lumens
- Simple low-cost fixture interface maximizes control and monitoring granularity

Compact, Bolt-On Enclosure

- Utilizes a small form factor IP40-rated PC/ABS enclosure
- Designed to be installed inside existing luminaire enclosure

Date: _____

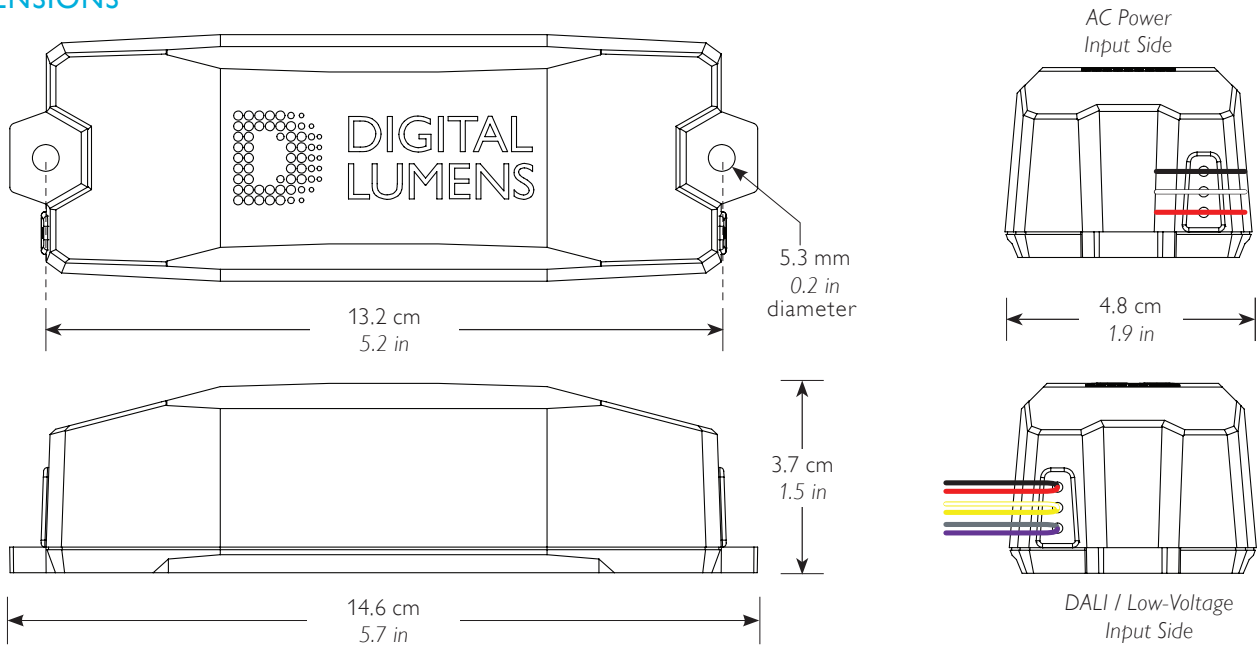
Type: _____

Firm: _____

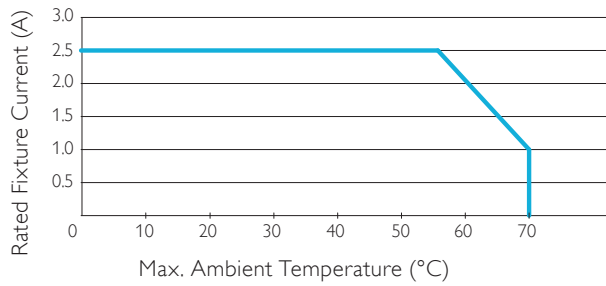
Project: _____

ELECTRICAL		
Input Voltage	100 – 277 VAC, 50/60Hz	
Power Consumption	0.5 W	
Maximum Fixture Current (switched AC)	2.5 A	
Surge Protection	per IEC 61547	
PHYSICAL		
Dimensions (H x W x D)	3.7 x 4.8 x 14.6 cm (1.5 x 1.9 x 5.7 in)	
Weight	120 g (4.25 oz)	
Enclosure	PC/ABS Polymer	
Mounting	Housing mounted within fixture	
ENVIRONMENTAL		
IP Rating	IP40	
Operating Temp.	-30° to 70°C (-22° to 158°F)	
Operating Humidity	0 to 95%, non-condensing	
CERTIFICATION & WARRANTY		
Certifications	UL, cUL, CE, FCC Part 15 Class B, (Pending: C-Tick, RoHS)	
Warranty	5-year Limited Warranty	
WIRING		
Mains	Black	AC Line
	White	AC Neutral
	Red	AC Switched
Low Voltage	Gray	0-10 VDC– Dimming
	Purple	0-10 VDC+ Dimming
Digital Control	Yellow	DALI– Signal
	Yellow/White	DALI+ Signal
	Black	DC– Aux. Power
	Red	DC+ Aux. Power
ORDERING		
Part Number	DLA-FA	

DIMENSIONS



TEMPERATURE VS. CURRENT



WIRING DIAGRAM

