

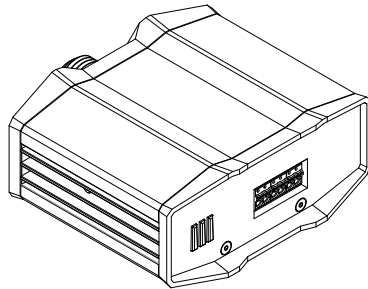
DLA-CA

Digital Light Agent™ Circuit Adapter

ADD INTELLIGENCE TO ANY FIXTURE

Digital Light Agents™ are multi-strategy adaptive lighting controls that make any light from any manufacturer intelligent. The DLA family delivers:

- Maximum energy savings via integrated sensing and software optimization
- Performance validation with utility-grade energy metering
- A real-time stream of actionable facility usage and environmental data



DLA-CA

When group or circuit-level control is desired, the DLA-CA provides full-range dimming and switched AC to accommodate both LED luminaires as well as legacy-type fixtures using 0-10V control.

FEATURES

Full Range Dimming Control

- Add smooth digital dimming to a wide range of LED or legacy fixture types
- 0-10 VDC with switched AC

Integrated Power Metering

- Turn lights into a managed energy resource via circuit-level power metering
- Real-time measurement of energy savings

Flexible and Scalable

- Connect to a range of DLA control modules
- Simple low-cost circuit interface maximises ease of installation

Compact, Bolt-On Enclosure

- Utilizes a small, rugged form factor IP40-rated PC/ABS enclosure and aluminum enclosure
- Connects through a 1/2-inch trade size conduit knockout
- UL 2043 plenum-rated

Date: _____

Type: _____

Firm: _____

Project: _____

ELECTRICAL	
Input Voltage	100 – 277 VAC, 50/60Hz
Power Consumption	0.5W
Maximum Fixture Current (switched AC)	7.0A
Surge Protection	per IEC 61547

PHYSICAL	
Dimensions (H x W x D)	4.1 x 10.4 x 10.8 cm (1.8 x 4.1 x 4.2 in)
Weight	7.6 oz (220 g)
Enclosure	PC/ABS Polymer, Aluminum
Mounting	Junction box (hardware supplied by installer)

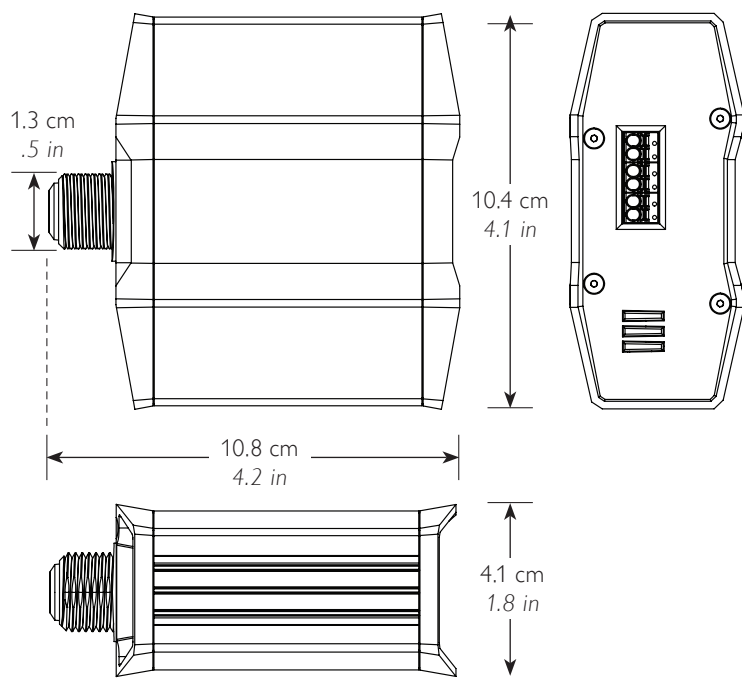
ENVIRONMENTAL	
IP Rating	IP40
Operating Temperature	-30° to 50°C (-22° to 122°F)
Operating Humidity	0 to 95%, non-condensing

CERTIFICATION & WARRANTY	
Certifications	FCC Part 15 Class B, (Pending: UL, cUL, CE, RoHS)
Warranty	5-year Limited Warranty

WIRING		
Mains	Black	AC Line
	White	AC Neutral
	Red	AC Switched
Low Voltage	Gray	0-10 VDC– Dimming
	Purple	0-10 VDC+ Dimming
Digital Control	Yellow	DALI– Signal
	Yellow/White	DALI+ Signal
	Black	DC– Aux. Power
	Red	DC+ Aux. Power

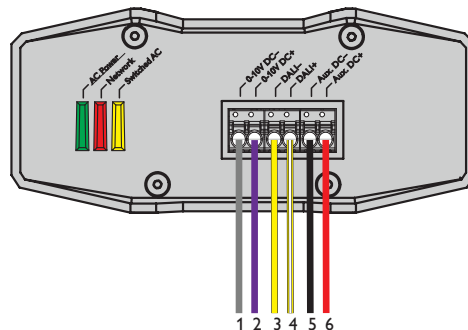
ORDERING	
Part Number	DLA-CA

DIMENSIONS



LED STATUS INDICATOR GUIDE

- Steady Green LED DLA-CA Powered On
- Steady Red LED DLA Communications Active
- Steady Yellow LED Switched AC Line Active



DLA-CA PORT IDENTIFICATION

- 1. Gray 0-10VDC – dimming
- 2. Purple 0-10VDC + dimming
- 3. Yellow DALI – Signal
- 4. Yellow/White DALI + Signal
- 5. Black DC – Aux. Power
- 6. Red DC + Aux. Power

WIRING DIAGRAM

